



ORDRSP Purchase order response message

EDIFACT/D97A/ORDRSP: ORDRSP Purchase order response message

Version: 1.0 Final

Author:	Ingram Micro
Company:	
Created:	23/02/2021
Modified:	25/02/2021
Current:	25/02/2021

Table of Contents

ORDRSP	Purchase order response message.....	1
	Branching Diagram - 1.....	2
	Branching Diagram - 2.....	3
	Branching Diagram - 3.....	4
UNB	INTERCHANGE HEADER	5
UNH	MESSAGE HEADER.....	7
BGM	BEGINNING OF MESSAGE	9
DTM	DATE/TIME/PERIOD.....	11
Group 1	Segment Group 1	12
RFF	REFERENCE.....	13
Group 3	Segment Group 3	14
NAD	NAME AND ADDRESS	15
Group 6	Segment Group 6	17
CTA	CONTACT INFORMATION	18
COM	COMMUNICATION CONTACT	19
Group 8	Segment Group 8	20
CUX	CURRENCIES	21
Group 10	Segment Group 10	22
TDT	DETAILS OF TRANSPORT.....	23
Group 26	Segment Group 26	24
LIN	LINE ITEM	25
PIA	ADDITIONAL PRODUCT ID	26
IMD	ITEM DESCRIPTION.....	27
QTY	QUANTITY	28
Group 30	Segment Group 30	29
PRI	PRICE DETAILS	30
Group 51	Segment Group 51	31
SCC	SCHEDULING CONDITIONS	32
Group 52	Segment Group 52	33
QTY	QUANTITY	34
DTM	DATE/TIME/PERIOD.....	35
UNS	SECTION CONTROL	36
CNT	CONTROL TOTAL	37
UNT	MESSAGE TRAILER	38
UNZ	INTERCHANGE TRAILER	39

ORDRSP

Purchase order response message

Message Status=

Not Defined:

<u>Pos</u>	<u>Tag</u>	<u>Segment Name</u>	<u>Status</u>	<u>Rep</u>	<u>Notes</u>	<u>Usage</u>
	UNB	INTERCHANGE HEADER	M	1		Must use

Heading:

<u>Pos</u>	<u>Tag</u>	<u>Segment Name</u>	<u>Status</u>	<u>Rep</u>	<u>Notes</u>	<u>Usage</u>
0010	UNH	MESSAGE HEADER	M	1	N1/0010	Must use
0020	BGM	BEGINNING OF MESSAGE	M	1	N1/0020	Must use
0030	DTM	DATE/TIME/PERIOD	M	35	N1/0030	Must use
0080		Segment Group 1	C	99	N1/0080	Used
0090	RFF	REFERENCE	M	1	N1/0090	Must use
0140		Segment Group 3	C	99	N1/0140	Used
0150	NAD	NAME AND ADDRESS	M	1	N1/0150	Must use
0240		Segment Group 6	C	5	N1/0240	Used
0250	CTA	CONTACT INFORMATION	M	1	N1/0250	Must use
0260	COM	COMMUNICATION CONTACT	C	5	N1/0260	Used
0310		Segment Group 8	C	5	N1/0310	Used
0320	CUX	CURRENCIES	M	1	N1/0320	Must use
0400		Segment Group 10	C	10	N1/0400	Used
0410	TDT	DETAILS OF TRANSPORT	M	1	N1/0410	Must use

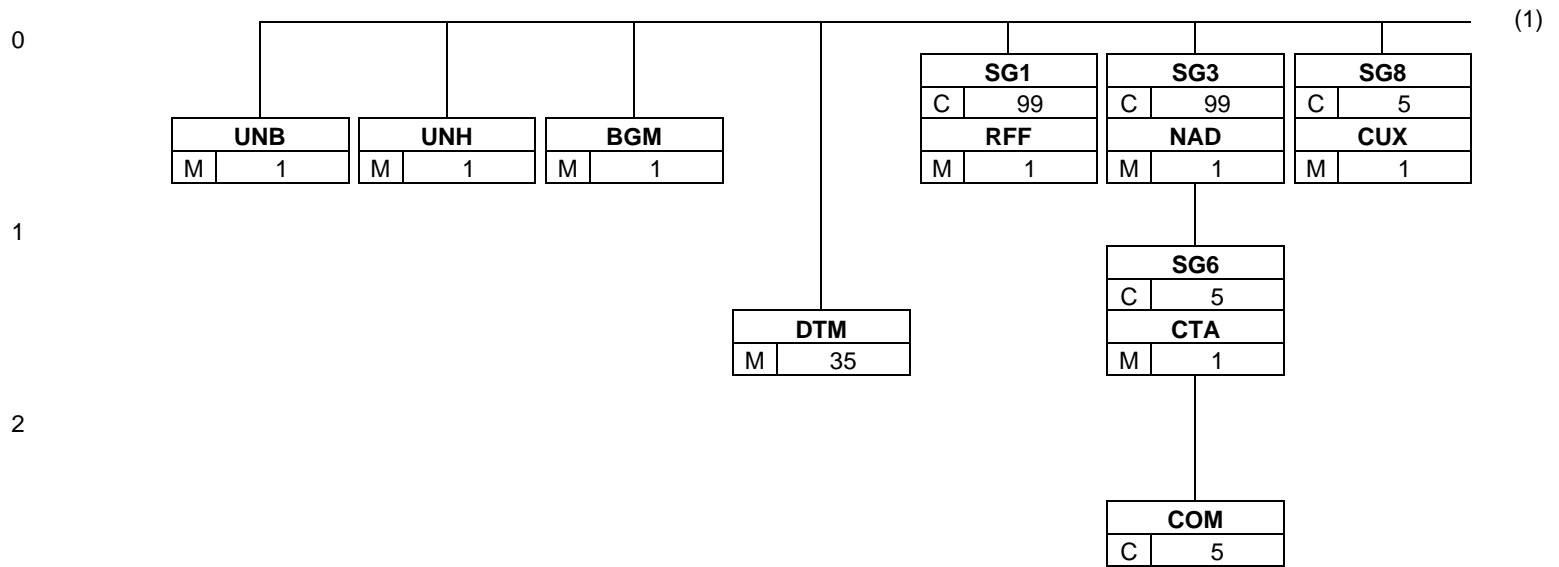
Detail:

<u>Pos</u>	<u>Tag</u>	<u>Segment Name</u>	<u>Status</u>	<u>Rep</u>	<u>Notes</u>	<u>Usage</u>
0960		Segment Group 26	C	200000	N2/0960	Used
0970	LIN	LINE ITEM	M	1	N2/0970	Must use
0980	PIA	ADDITIONAL PRODUCT ID	C	25	N2/0980	Used
0990	IMD	ITEM DESCRIPTION	C	99	N2/0990	Used
1010	QTY	QUANTITY	C	10	N2/1010	Used
1240		Segment Group 30	C	25	N2/1240	Used
1250	PRI	PRICE DETAILS	M	1	N2/1250	Must use
1990		Segment Group 51	C	100	N2/1990	Used
2000	SCC	SCHEDULING CONDITIONS	M	1	N2/2000	Must use
2030		Segment Group 52	C	10	N2/2030	Used
2040	QTY	QUANTITY	M	1	N2/2040	Must use
2050	DTM	DATE/TIME/PERIOD	C	5	N2/2050	Used
2160	UNS	SECTION CONTROL	M	1	N2/2160	Must use
2180	CNT	CONTROL TOTAL	C	10	N2/2180	Used
2230	UNT	MESSAGE TRAILER	M	1	N2/2230	Must use

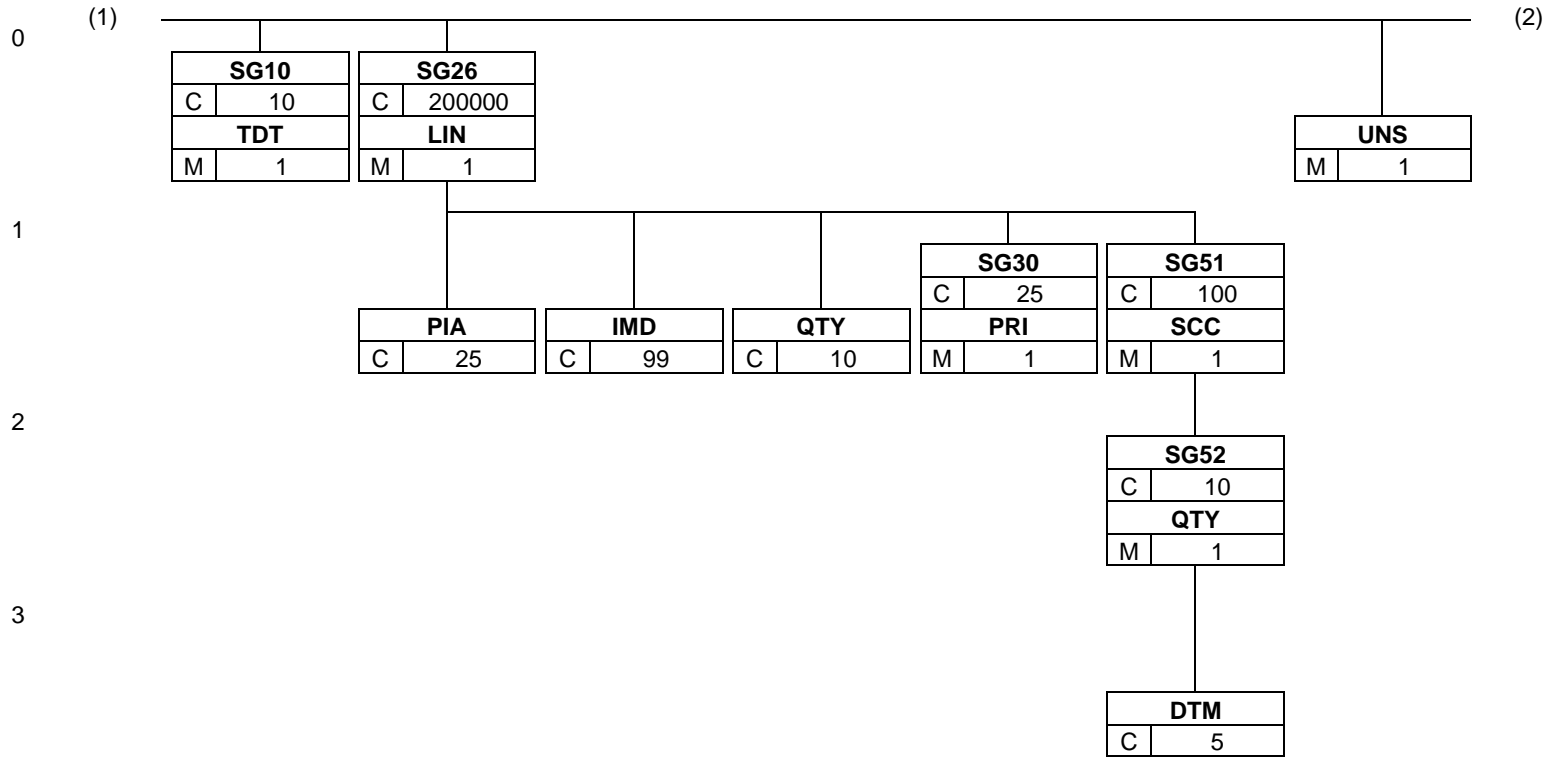
Not Defined:

<u>Pos</u>	<u>Tag</u>	<u>Segment Name</u>	<u>Status</u>	<u>Rep</u>	<u>Notes</u>	<u>Usage</u>
	UNZ	INTERCHANGE TRAILER	M	1		Must use

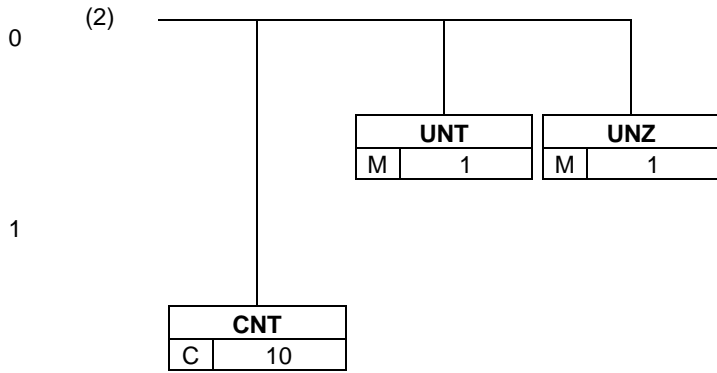
Branching Diagram: ORDRSP(Purchase order response message)



Branching Diagram: ORDRSP(Purchase order response message)



Branching Diagram: ORDRSP(Purchase order response message)



UNB INTERCHANGE HEADER

Pos:	Max: 1
Mandatory	
Group: N/A	Elements: 7

User Option (Usage): Must use

Function: To start, identify and specify an interchange.

Element Summary:

<u>Ref</u>	<u>Tag</u>	<u>Element Name</u>	<u>Status</u>	<u>Type</u>	<u>Min/Max</u>	<u>Usage</u>
UNB010	S001	SYNTAX IDENTIFIER	M	Comp		Must use
Description: Identification of the agency controlling the syntax and indication of syntax level.						
UNB010-010	0001	Syntax identifier	M	A	4/4	Used
Description: Coded identification of the agency controlling a syntax and syntax level used in an interchange.						
CodeList Summary (Total Codes: 6, Included: 1)						
		<u>Code</u>		<u>Name</u>		
		UNOC		UN/ECE level C		
Description: As defined in ISO 8859-1 : Information processing - Part 1: Latin alphabet No. 1.						
UNB010-020	0002	Syntax version number	M	N	1/1	Used
Description: Version number of the syntax identified in the syntax identifier (0001).						
CodeList Summary (Total Codes: 3, Included: 1)						
		<u>Code</u>		<u>Name</u>		
		2		Version 2		
Description: ISO 9735:1990.						
UNB020	S002	INTERCHANGE SENDER	M	Comp		Must use
Description: Identification of the sender of the interchange.						
UNB020-010	0004	Sender identification	M	AN	1/35	Used
Description: Name or coded representation of the sender of a data interchange.						
UNB020-020	0007	Partner identification code qualifier	C	AN	1/4	Used
Description: Qualifier referring to the source of codes for the identifiers of interchanging partners.						
UNB030	S003	INTERCHANGE RECIPIENT	M	Comp		Must use
Description: Identification of the recipient of the interchange.						
UNB030-010	0010	Recipient identification	M	AN	1/35	Used
Description: Name or coded representation of the recipient of a data interchange.						
UNB030-020	0007	Partner identification code qualifier	C	AN	1/4	Used
Description: Qualifier referring to the source of codes for the identifiers of interchanging partners.						

UNB040	S004	DATE/TIME OF PREPARATION Description: Date/time of preparation of the interchange.	M	Comp		Must use
UNB040-010	0017	Date of preparation Description: Local date when an interchange or a functional group was prepared.	M	N	6/6	Used
UNB040-020	0019	Time of preparation Description: Local time of day when an interchange or a functional group was prepared.	M	N	4/4	Used
UNB050	0020	INTERCHANGE CONTROL REFERENCE Description: Unique reference assigned by the sender to an interchange.	M	AN	1/14	Must use
UNB070	0026	APPLICATION REFERENCE Description: Identification of the application area assigned by the sender, to which the messages in the interchange relate e.g. the message identifier if all the messages in the interchange are of the same type.	C	AN	1/14	Used
UNB110	0035	TEST INDICATOR Description: Indication that the interchange is a test. All valid X12 codes are used. (Total Codes: 1)	C	N	1/1	Used

Example:

UNA:+. ? '

UNB+UNOC:2+004919486DE:01+RESELLER:14+070813:0412+00000000000036++ORDRSP'

UNH

MESSAGE HEADER

Pos: 0010	Max: 1
Mandatory	
Group: N/A	Elements: 2

User Option (Usage): Must use

Function: To head, identify and specify a message.

Element Summary:

<u>Ref</u>	<u>Tag</u>	<u>Element Name</u>	<u>Status</u>	<u>Type</u>	<u>Min/Max</u>	<u>Usage</u>				
UNH010	0062	MESSAGE REFERENCE NUMBER Description: Unique message reference assigned by the sender.	M	AN	1/14	Must use				
UNH020	S009	MESSAGE IDENTIFIER Description: Identification of the type, version etc. of the message being interchanged.	M	Comp		Must use				
UNH020-010	0065	Message type identifier Description: Code identifying a type of message and assigned by its controlling agency. CodeList Summary (Total Codes: 145, Included: 1) <table border="1"> <thead> <tr> <th><u>Code</u></th> <th><u>Name</u></th> </tr> </thead> <tbody> <tr> <td>ORDRSP</td> <td>Purchase order response message</td> </tr> </tbody> </table> Description: A code to identify the purchase order response message.	<u>Code</u>	<u>Name</u>	ORDRSP	Purchase order response message	M	AN	1/6	Must use
<u>Code</u>	<u>Name</u>									
ORDRSP	Purchase order response message									
UNH020-020	0052	Message type version number Description: Version number of a message type. CodeList Summary (Total Codes: 7, Included: 1) <table border="1"> <thead> <tr> <th><u>Code</u></th> <th><u>Name</u></th> </tr> </thead> <tbody> <tr> <td>D</td> <td>Draft version</td> </tr> </tbody> </table> Description: Message approved and issued as a draft message (Valid for directories published after March 1993 and prior to March 1997). Message approved as a standard message (Valid for directories published after March 1997).	<u>Code</u>	<u>Name</u>	D	Draft version	M	AN	1/3	Must use
<u>Code</u>	<u>Name</u>									
D	Draft version									
UNH020-030	0054	Message type release number Description: Release number within the current message type version number (0052). CodeList Summary (Total Codes: 15, Included: 1) <table border="1"> <thead> <tr> <th><u>Code</u></th> <th><u>Name</u></th> </tr> </thead> <tbody> <tr> <td>97A</td> <td>Release 1997 - A</td> </tr> </tbody> </table> Description: Message approved and issued in the first 1997 release of the UNTDID (United Nations Trade Data Interchange Directory).	<u>Code</u>	<u>Name</u>	97A	Release 1997 - A	M	AN	1/3	Must use
<u>Code</u>	<u>Name</u>									
97A	Release 1997 - A									
UNH020-040	0051	Controlling agency Description: Code identifying the agency controlling the specification, maintenance and publication of the message type. CodeList Summary (Total Codes: 20, Included: 1) <table border="1"> <thead> <tr> <th><u>Code</u></th> <th><u>Name</u></th> </tr> </thead> <tbody> <tr> <td>UN</td> <td>UN/ECE/TRADE/WP.4, United Nations Standard Messages (UNSM)</td> </tr> </tbody> </table> Description: UN Economic Commission for Europe (UN/ECE), Committee on the development of trade (TRADE), Working Party on facilitation of international trade procedures (WP.4).	<u>Code</u>	<u>Name</u>	UN	UN/ECE/TRADE/WP.4, United Nations Standard Messages (UNSM)	M	AN	1/2	Must use
<u>Code</u>	<u>Name</u>									
UN	UN/ECE/TRADE/WP.4, United Nations Standard Messages (UNSM)									

Example:

EDIFACTD97A

UNH+00000000000025+ORDRSP:D:97A:UN'

BGM

BEGINNING OF MESSAGE

Pos: 0020	Max: 1
Mandatory	
Group: N/A	Elements: 4

User Option (Usage): Must use

Function: To indicate the type and function of a message and to transmit the identifying number.

Element Summary:

<u>Ref</u>	<u>Tag</u>	<u>Element Name</u>	<u>Status</u>	<u>Type</u>	<u>Min/Max</u>	<u>Usage</u>
BGM010	C002	DOCUMENT/MESSAGE NAME	C	Comp		Used
		Description: Identification of a type of document/message by code or name. Code preferred.				
BGM010-010	1001	Document/message name, coded	C	AN	1/3	Used
		Description: Document/message identifier expressed in code.				
		CodeList Summary (Total Codes: 424, Included: 1)				
		<u>Code</u>		<u>Name</u>		
		231		Purchase order response		
				Description: <i>Response to an purchase order already received.</i>		
BGM020	C106	DOCUMENT/MESSAGE IDENTIFICATION	C	Comp		Used
		Description: Identification of a document/message by its number and eventually its version or revision.				
BGM020-010	1004	Document/message number	C	AN	1/35	Used
		Description: Reference number assigned to the document/message by the issuer.				
		User Note 1: <i>Ingram Micro Sales Order Number</i>				
BGM030	1225	MESSAGE FUNCTION, CODED	C	AN	1/3	Used
		Description: Code indicating the function of the message.				
		CodeList Summary (Total Codes: 55, Included: 2)				
		<u>Code</u>		<u>Name</u>		
		8		Status		
				Description: <i>Description to be provided.</i>		
		11		Response		
				Description: <i>Message responding to a previous message or document.</i>		
BGM040	4343	RESPONSE TYPE, CODED	C	AN	1/3	Used
		Description: Code specifying the type of acknowledgment required or transmitted.				
		CodeList Summary (Total Codes: 13, Included: 2)				
		<u>Code</u>		<u>Name</u>		
		AP		Accepted		
				Description: <i>Indication that the referenced offer or transaction (e.g., cargo booking or quotation request) has been accepted.</i>		
		RE		Rejected		
				Description: <i>Indication that the referenced offer or transaction (e.g., cargo booking or quotation request) is not accepted.</i>		

Example:

BGM+231+4406361+11+AP'

DTM

DATE/TIME/PERIOD

Pos: 0030	Max: 35
Mandatory	
Group: N/A	Elements: 1

User Option (Usage): Must use

Function: To specify date, and/or time, or period.

Element Summary:

<u>Ref</u>	<u>Tag</u>	<u>Element Name</u>	<u>Status</u>	<u>Type</u>	<u>Min/Max</u>	<u>Usage</u>
DTM010	C507	DATE/TIME/PERIOD	M	Comp		Must use
Description: Date and/or time, or period relevant to the specified date/time/period type.						
DTM010-010	2005	Date/time/period qualifier	M	AN	1/3	Must use
Description: Code giving specific meaning to a date, time or period.						
CodeList Summary (Total Codes: 364, Included: 2)						
		<u>Code</u>		<u>Name</u>		
		4		Order date/time		
Description: [2010] Date when an order is issued.						
		137		Document/message date/time		
Description: (2006) Date/time when a document/message is issued. This may include authentication.						
DTM010-020	2380	Date/time/period	C	AN	1/35	Used
Description: The value of a date, a date and time, a time or of a period in a specified representation.						
DTM010-030	2379	Date/time/period format qualifier	C	AN	1/3	Used
Description: Specification of the representation of a date, a date and time or of a period.						
CodeList Summary (Total Codes: 70, Included: 1)						
		<u>Code</u>		<u>Name</u>		
		102		CCYYMMDD		
Description: Calendar date: C = Century ; Y = Year ; M = Month ; D = Day.						

Example:

DTM+4:20070803:102'
DTM+137:20070813:102'

Segment Group 1

Pos: 0080	Repeat: 99
Conditional	
Group: 1	Elements: N/A

User Option (Usage): Used

Segment Group Summary:

<u>Pos</u>	<u>Tag</u>	<u>Segment Name</u>	<u>Status</u>	<u>Rep</u>	<u>Usage</u>
0090	RFF	REFERENCE	M	1	Must use

RFF REFERENCE

Pos: 0090	Max: 1
Mandatory	
Group: 1	Elements: 1

User Option (Usage): Must use
Function: To specify a reference.

Element Summary:

<u>Ref</u>	<u>Tag</u>	<u>Element Name</u>	<u>Status</u>	<u>Type</u>	<u>Min/Max</u>	<u>Usage</u>
RFF010	C506	REFERENCE	M	Comp		Must use
Description: Identification of a reference.						
RFF010-010	1153	Reference qualifier	M	AN	1/3	Must use
Description: Code giving specific meaning to a reference segment or a reference number.						
CodeList Summary (Total Codes: 504, Included: 3)						
		<u>Code</u>		<u>Name</u>		
		ON		Order number (purchase)		
				Description: [1022] Reference number assigned by the buyer to an order.		
		UO		Ultimate customer's order number		
				Description: The originator's order number as forwarded in a sequence of parties involved.		
		ADE		Account number		
				Description: Identification number of an account.		
RFF010-020	1154	Reference number	C	AN	1/35	Used
Description: Identification number the nature and function of which can be qualified by an entry in data element 1153 Reference qualifier.						
User Note 1: Reseller's purchase order number (qualifier ON)						
End-user purchase order number (qualifier UO)						
Ingram account number (qualifier ADE)						

Example:

RFF+ON:CUSTOMER PO NUMBER'
 RFF+UO:4095104 - TEST ORDER'
 RFF+ADE:44999999'

Segment Group 3

Pos: 0140	Repeat: 99
Conditional	
Group: 3	Elements: N/A

User Option (Usage): Used

Segment Group Summary:

<u>Pos</u>	<u>Tag</u>	<u>Segment Name</u>	<u>Status</u>	<u>Rep</u>	<u>Usage</u>
0150	NAD	NAME AND ADDRESS	M	1	Must use
0240		Segment Group 6	C	5	Used

NAD

NAME AND ADDRESS

Pos: 0150	Max: 1
Mandatory	
Group: 3	Elements: 7

User Option (Usage): Must use

Function: To specify the name/address and their related function, either by CO82 only and/or unstructured by CO58 or structured by CO80 thru 3207.

Element Summary:

<u>Ref</u>	<u>Tag</u>	<u>Element Name</u>	<u>Status</u>	<u>Type</u>	<u>Min/Max</u>	<u>Usage</u>
NAD010	3035	PARTY QUALIFIER	M	AN	1/3	Must use
Description: Code giving specific meaning to a party.						
CodeList Summary (Total Codes: 325, Included: 3)						
		<u>Code</u>		<u>Name</u>		
		BY		Buyer		
				Description: (3002) Party to which merchandise is sold.		
		CN		Consignee		
				Description: (3132) Party to which goods are consigned.		
		SU		Supplier		
				Description: (3280) Party which manufactures or otherwise has possession of goods, and consigns or makes them available in trade.		
NAD020	C082	PARTY IDENTIFICATION DETAILS	C	Comp		Used
Description: Identification of a transaction party by code.						
NAD020-010	3039	Party id. identification	M	AN	1/35	Must use
Description: Code identifying a party involved in a transaction.						
NAD020-030	3055	Code list responsible agency, coded	C	AN	1/3	Used
Description: Code identifying the agency responsible for a code list.						
CodeList Summary (Total Codes: 195, Included: 3)						
		<u>Code</u>		<u>Name</u>		
		9		EAN (International Article Numbering association)		
				Description: Self explanatory.		
		91		Assigned by seller or seller's agent		
				Description: Self explanatory.		
		92		Assigned by buyer or buyer's agent		
				Description: Self explanatory.		
NAD040	C080	PARTY NAME	C	Comp		Used
Description: Identification of a transaction party by name, one to five lines. Party name may be formatted.						
NAD040-010	3036	Party name	M	AN	1/35	Must use
Description: Name of a party involved in a transaction.						
NAD040-020	3036	Party name	C	AN	1/35	Used
Description: Name of a party involved in a transaction.						

CONTACT PERSON						
NAD050	C059	STREET Description: Street address and/or PO Box number in a structured address: one to three lines.	C	Comp		Used
NAD050-010	3042	Street and number/p.o. box Description: Street and number in plain language, or Post Office Box No.	M	AN	1/35	Must use
NAD050-020	3042	Street and number/p.o. box Description: Street and number in plain language, or Post Office Box No.	C	AN	1/35	Used
NAD060	3164	CITY NAME Description: Name of a city (a town, a village) for addressing purposes.	C	AN	1/35	Used
NAD080	3251	POSTCODE IDENTIFICATION Description: Code defining postal zones or addresses.	C	AN	1/9	Used
NAD090	3207	COUNTRY, CODED Description: Identification of the name of a country or other geographical entity as specified in ISO 3166.	C	AN	1/3	Used

Example:

NAD+BY+A53316:::92'
NAD+SU+++INGRAM MICRO DISTRIBUTION GMBH++EUROPARING 20+STRAUBING++94315+DE'
NAD+CN+++SHIP-TO NAME++ADDRESS LINE-1+CITY++POST CODE+DE'

Segment Group 6

Pos: 0240	Repeat: 5
Conditional	
Group: 6	Elements: N/A

User Option (Usage): Used

Segment Group Summary:

<u>Pos</u>	<u>Tag</u>	<u>Segment Name</u>	<u>Status</u>	<u>Rep</u>	<u>Usage</u>
0250	CTA	CONTACT INFORMATION	M	1	Must use
0260	COM	COMMUNICATION CONTACT	C	5	Used

CTA CONTACT INFORMATION

Pos: 0250	Max: 1
Mandatory	
Group: 6	Elements: 1

User Option (Usage): Must use

Function: To identify a person or a department to whom communication should be directed.

Element Summary:

<u>Ref</u>	<u>Tag</u>	<u>Element Name</u>	<u>Status</u>	<u>Type</u>	<u>Min/Max</u>	<u>Usage</u>
CTA010	3139	CONTACT FUNCTION, CODED	C	an	1/3	Used

Description: Code specifying the function of a contact (e.g. department or person).

CodeList Summary (Total Codes: 85, Included: 1)

<u>Code</u>	<u>Name</u>
IC	Information contact

Description: *Department/person to contact for questions regarding transactions.*

Example:

CTA+IC+:IECC ESOLUTIONS SUPPORT'

COM

COMMUNICATION CONTACT

Pos: 0260	Max: 5
Conditional	
Group: 6	Elements: 1

User Option (Usage): Used

Function: To identify a communication number of a department or a person to whom communication should be directed.

Element Summary:

<u>Ref</u>	<u>Tag</u>	<u>Element Name</u>	<u>Status</u>	<u>Type</u>	<u>Min/Max</u>	<u>Usage</u>
COM010	C076	COMMUNICATION CONTACT Description: Communication number of a department or employee in a specified channel.	M	Comp		Must use
COM010-010	3148	Communication number Description: The communication number.	M	an	1/512	Must use
COM010-020	3155	Communication channel qualifier Description: Code identifying the type of communication channel being used.	M	an	1/3	Must use
CodeList Summary (Total Codes: 27, Included: 1)						
	<u>Code</u>	<u>Name</u>				
	EM	Electronic mail				
		Description: <i>Creating/sending/receiving of unstructured free text messages or documents using computer network, a mini-computer or an attached modem and regular telephone line or other electronic transmission media.</i>				

Example:

`COM+ESOLUTIONS.SUPPORT@INGRAMMICRO.COM:EM'`

Segment Group 8

Pos: 0310	Repeat: 5
Conditional	
Group: 8	Elements: N/A

User Option (Usage): Used

Segment Group Summary:

<u>Pos</u>	<u>Tag</u>	<u>Segment Name</u>	<u>Status</u>	<u>Rep</u>	<u>Usage</u>
0320	CUX	CURRENCIES	M	1	Must use

CUX

CURRENCIES

Pos: 0320	Max: 1
Mandatory	
Group: 8	Elements: 1

User Option (Usage): Must use

Function: To specify currencies used in the transaction and relevant details for the rate of exchange.

Element Summary:

<u>Ref</u>	<u>Tag</u>	<u>Element Name</u>	<u>Status</u>	<u>Type</u>	<u>Min/Max</u>	<u>Usage</u>				
CUX010	C504	CURRENCY DETAILS Description: The usage to which a currency relates.	C	Comp		Used				
CUX010-010	6347	Currency details qualifier Description: Specification of the usage to which the currency relates. CodeList Summary (Total Codes: 7, Included: 1) <table border="1"> <thead> <tr> <th><u>Code</u></th> <th><u>Name</u></th> </tr> </thead> <tbody> <tr> <td>2</td> <td>Reference currency</td> </tr> </tbody> </table> Description: <i>The currency applicable to amounts stated. It may have to be converted.</i>	<u>Code</u>	<u>Name</u>	2	Reference currency	M	AN	1/3	Must use
<u>Code</u>	<u>Name</u>									
2	Reference currency									
CUX010-020	6345	Currency, coded Description: Identification of the name or symbol of the monetary unit involved in the transaction.	C	AN	1/3	Used				

Example:

CUX+2:EUR'

Segment Group 10

Pos: 0400	Repeat: 10
Conditional	
Group: 10	Elements: N/A

User Option (Usage): Used

Segment Group Summary:

<u>Pos</u>	<u>Tag</u>	<u>Segment Name</u>	<u>Status</u>	<u>Rep</u>	<u>Usage</u>
0410	TDT	DETAILS OF TRANSPORT	M	1	Must use

TDT

DETAILS OF TRANSPORT

Pos: 0410	Max: 1
Mandatory	
Group: 10	Elements: 3

User Option (Usage): Must use

Function: To specify the transport details such as mode of transport, means of transport, its conveyance reference number and the identification of the means of transport. The segment may be pointed to by the TPL segment.

Element Summary:

<u>Ref</u>	<u>Tag</u>	<u>Element Name</u>	<u>Status</u>	<u>Type</u>	<u>Min/Max</u>	<u>Usage</u>				
TDT010	8051	TRANSPORT STAGE QUALIFIER	M	AN	1/3	Must use				
<p>Description: Qualifier giving a specific meaning to the transport details.</p> <p>CodeList Summary (Total Codes: 17, Included: 1)</p> <table border="1"> <thead> <tr> <th><u>Code</u></th> <th><u>Name</u></th> </tr> </thead> <tbody> <tr> <td>20</td> <td>Main-carriage transport</td> </tr> </tbody> </table> <p>Description: <i>The primary stage in the movement of cargo from the point of origin to the intended destination.</i></p>							<u>Code</u>	<u>Name</u>	20	Main-carriage transport
<u>Code</u>	<u>Name</u>									
20	Main-carriage transport									
TDT030	C220	MODE OF TRANSPORT	C	Comp		Used				
<p>Description: Method of transport code or name. Code preferred.</p>										
TDT030-010	8067	Mode of transport, coded	C	AN	1/3	Used				
<p>Description: Coded method of transport used for the carriage of the goods.</p>										
TDT050	C040	CARRIER	C	Comp		Used				
<p>Description: Identification of a carrier by code and/or by name. Code preferred.</p>										
TDT050-040	3128	Carrier name	C	AN	1/35	Used				
<p>Description: Name of party undertaking or arranging transport of goods between named points.</p>										

Example:

TDT+20++M++UD'

Segment Group 26

Pos: 0960	Repeat: 200000
Conditional	
Group: 26	Elements: N/A

User Option (Usage): Used

Segment Group Summary:

<u>Pos</u>	<u>Tag</u>	<u>Segment Name</u>	<u>Status</u>	<u>Rep</u>	<u>Usage</u>
0970	LIN	LINE ITEM	M	1	Must use
0980	PIA	ADDITIONAL PRODUCT ID	C	25	Used
0990	IMD	ITEM DESCRIPTION	C	99	Used
1010	QTY	QUANTITY	C	10	Used
1240		Segment Group 30	C	25	Used
1990		Segment Group 51	C	100	Used

LIN LINE ITEM

Pos: 0970	Max: 1
Mandatory	
Group: 26	Elements: 3

User Option (Usage): Must use
Function: To identify a line item and configuration.

Element Summary:

<u>Ref</u>	<u>Tag</u>	<u>Element Name</u>	<u>Status</u>	<u>Type</u>	<u>Min/Max</u>	<u>Usage</u>								
LIN010	1082	LINE ITEM NUMBER <i>Description:</i> Serial number designating each separate item within a series of articles. <i>User Note 1: Customer Line Number</i>	C	AN	1/6	Used								
LIN020	1229	ACTION REQUEST/NOTIFICATION, CODED <i>Description:</i> Code specifying the action to be taken or already taken. <i>CodeList Summary</i> (Total Codes: 25, Included: 3) <table border="1"> <thead> <tr> <th><u>Code</u></th> <th><u>Name</u></th> </tr> </thead> <tbody> <tr> <td>5</td> <td>Accepted without amendment <i>Description: This line item is entirely accepted by the seller.</i></td> </tr> <tr> <td>6</td> <td>Accepted with amendment <i>Description: This line item is accepted but amended by the seller.</i></td> </tr> <tr> <td>7</td> <td>Not accepted <i>Description: This line item is not accepted by the seller.</i></td> </tr> </tbody> </table>	<u>Code</u>	<u>Name</u>	5	Accepted without amendment <i>Description: This line item is entirely accepted by the seller.</i>	6	Accepted with amendment <i>Description: This line item is accepted but amended by the seller.</i>	7	Not accepted <i>Description: This line item is not accepted by the seller.</i>	C	AN	1/3	Used
<u>Code</u>	<u>Name</u>													
5	Accepted without amendment <i>Description: This line item is entirely accepted by the seller.</i>													
6	Accepted with amendment <i>Description: This line item is accepted but amended by the seller.</i>													
7	Not accepted <i>Description: This line item is not accepted by the seller.</i>													
LIN030	C212	ITEM NUMBER IDENTIFICATION <i>Description:</i> Goods identification for a specified source.	C	Comp		Used								
LIN030-010	7140	Item number <i>Description:</i> A number allocated to a group or item.	C	AN	1/35	Used								
LIN030-020	7143	Item number type, coded <i>Description:</i> Identification of the type of item number. <i>CodeList Summary</i> (Total Codes: 86, Included: 1) <table border="1"> <thead> <tr> <th><u>Code</u></th> <th><u>Name</u></th> </tr> </thead> <tbody> <tr> <td>VP</td> <td>Vendor's (seller's) part number <i>Description: Reference number assigned by a vendor/seller identifying an article.</i></td> </tr> </tbody> </table>	<u>Code</u>	<u>Name</u>	VP	Vendor's (seller's) part number <i>Description: Reference number assigned by a vendor/seller identifying an article.</i>	C	AN	1/3	Used				
<u>Code</u>	<u>Name</u>													
VP	Vendor's (seller's) part number <i>Description: Reference number assigned by a vendor/seller identifying an article.</i>													
LIN030-040	3055	Code list responsible agency, coded <i>Description:</i> Code identifying the agency responsible for a code list. <i>CodeList Summary</i> (Total Codes: 195, Included: 1) <table border="1"> <thead> <tr> <th><u>Code</u></th> <th><u>Name</u></th> </tr> </thead> <tbody> <tr> <td>91</td> <td>Assigned by seller or seller's agent <i>Description: Self explanatory.</i></td> </tr> </tbody> </table>	<u>Code</u>	<u>Name</u>	91	Assigned by seller or seller's agent <i>Description: Self explanatory.</i>	C	AN	1/3	Used				
<u>Code</u>	<u>Name</u>													
91	Assigned by seller or seller's agent <i>Description: Self explanatory.</i>													

Example:

LIN+10+6+6780975:VP::91'

PIA

ADDITIONAL PRODUCT ID

Pos: 0980	Max: 25
Conditional	
Group: 26	Elements: 2

User Option (Usage): Used

Function: To specify additional or substitutional item identification codes.

Element Summary:

<u>Ref</u>	<u>Tag</u>	<u>Element Name</u>	<u>Status</u>	<u>Type</u>	<u>Min/Max</u>	<u>Usage</u>								
PIA010	4347	PRODUCT ID. FUNCTION QUALIFIER Description: Indication of the function of the product code. CodeList Summary (Total Codes: 9, Included: 1) <table border="1"> <thead> <tr> <th><u>Code</u></th> <th><u>Name</u></th> </tr> </thead> <tbody> <tr> <td>1</td> <td>Additional identification</td> </tr> </tbody> </table> Description: <i>Information which specifies and qualifies product identifications.</i>	<u>Code</u>	<u>Name</u>	1	Additional identification	M	AN	1/3	Must use				
<u>Code</u>	<u>Name</u>													
1	Additional identification													
PIA020	C212	ITEM NUMBER IDENTIFICATION Description: Goods identification for a specified source.	M	Comp		Must use								
PIA020-010	7140	Item number Description: A number allocated to a group or item.	C	AN	1/35	Used								
PIA020-020	7143	Item number type, coded Description: Identification of the type of item number. CodeList Summary (Total Codes: 86, Included: 3) <table border="1"> <thead> <tr> <th><u>Code</u></th> <th><u>Name</u></th> </tr> </thead> <tbody> <tr> <td>BP</td> <td>Buyer's part number</td> </tr> <tr> <td>EN</td> <td>International Article Numbering Association (EAN)</td> </tr> <tr> <td>MF</td> <td>Manufacturer's (producer's) article number</td> </tr> </tbody> </table> Description: <i>The number given to an article by its manufacturer.</i>	<u>Code</u>	<u>Name</u>	BP	Buyer's part number	EN	International Article Numbering Association (EAN)	MF	Manufacturer's (producer's) article number	C	AN	1/3	Used
<u>Code</u>	<u>Name</u>													
BP	Buyer's part number													
EN	International Article Numbering Association (EAN)													
MF	Manufacturer's (producer's) article number													
PIA020-040	3055	Code list responsible agency, coded Description: Code identifying the agency responsible for a code list. CodeList Summary (Total Codes: 195, Included: 3) <table border="1"> <thead> <tr> <th><u>Code</u></th> <th><u>Name</u></th> </tr> </thead> <tbody> <tr> <td>9</td> <td>EAN (International Article Numbering association)</td> </tr> <tr> <td>90</td> <td>Assigned by manufacturer</td> </tr> <tr> <td>92</td> <td>Assigned by buyer or buyer's agent</td> </tr> </tbody> </table> Description: <i>Self explanatory.</i>	<u>Code</u>	<u>Name</u>	9	EAN (International Article Numbering association)	90	Assigned by manufacturer	92	Assigned by buyer or buyer's agent	C	AN	1/3	Used
<u>Code</u>	<u>Name</u>													
9	EAN (International Article Numbering association)													
90	Assigned by manufacturer													
92	Assigned by buyer or buyer's agent													

Example:

PIA+1+99999999:BP::92'
PIA+1+KTD-WS360A/1G:MF::90'

IMD

ITEM DESCRIPTION

Pos: 0990	Max: 99
Conditional	
Group: 26	Elements: 2

User Option (Usage): Used

Function: To describe an item in either an industry or free format.

Element Summary:

<u>Ref</u>	<u>Tag</u>	<u>Element Name</u>	<u>Status</u>	<u>Type</u>	<u>Min/Max</u>	<u>Usage</u>				
IMD010	7077	ITEM DESCRIPTION TYPE, CODED Description: Code indicating the format of a description. CodeList Summary (Total Codes: 8, Included: 1) <table border="1"> <thead> <tr> <th><u>Code</u></th> <th><u>Name</u></th> </tr> </thead> <tbody> <tr> <td>F</td> <td>Free-form</td> </tr> </tbody> </table> Description: <i>Self explanatory.</i>	<u>Code</u>	<u>Name</u>	F	Free-form	C	AN	1/3	Used
<u>Code</u>	<u>Name</u>									
F	Free-form									
IMD030	C273	ITEM DESCRIPTION Description: Description of an item.	C	Comp		Used				
IMD030-040	7008	Item description Description: Plain language description of articles or products.	C	AN	1/35	Used				

Example:

IMD+F++:::1GB MEMORY KIT 2 MODULE'

QTY

QUANTITY

Pos: 1010	Max: 10
Conditional	
Group: 26	Elements: 1

User Option (Usage): Used

Function: To specify a pertinent quantity.

Element Summary:

<u>Ref</u>	<u>Tag</u>	<u>Element Name</u>	<u>Status</u>	<u>Type</u>	<u>Min/Max</u>	<u>Usage</u>				
QTY010	C186	QUANTITY DETAILS Description: Quantity information in a transaction, qualified when relevant.	M	Comp		Must use				
QTY010-010	6063	Quantity qualifier Description: Code giving specific meaning to a quantity. CodeList Summary (Total Codes: 199, Included: 1) <table border="1"> <thead> <tr> <th><u>Code</u></th> <th><u>Name</u></th> </tr> </thead> <tbody> <tr> <td>21</td> <td>Ordered quantity Description: <i>The quantity which has been ordered.</i></td> </tr> </tbody> </table>	<u>Code</u>	<u>Name</u>	21	Ordered quantity Description: <i>The quantity which has been ordered.</i>	M	AN	1/3	Must use
<u>Code</u>	<u>Name</u>									
21	Ordered quantity Description: <i>The quantity which has been ordered.</i>									
QTY010-020	6060	Quantity Description: Numeric value of a quantity.	M	N	1/15	Must use				

Example:

QTY+21:2'

Segment Group 30

Pos: 1240	Repeat: 25
Conditional	
Group: 30	Elements: N/A

User Option (Usage): Used

Segment Group Summary:

<u>Pos</u>	<u>Tag</u>	<u>Segment Name</u>	<u>Status</u>	<u>Rep</u>	<u>Usage</u>
1250	PRI	PRICE DETAILS	M	1	Must use

PRI PRICE DETAILS

Pos: 1250	Max: 1
Mandatory	
Group: 30	Elements: 1

User Option (Usage): Must use
Function: To specify price information.

Element Summary:

<u>Ref</u>	<u>Tag</u>	<u>Element Name</u>	<u>Status</u>	<u>Type</u>	<u>Min/Max</u>	<u>Usage</u>				
PRI010	C509	PRICE INFORMATION Description: Identification of price type, price and related details.	C	Comp		Used				
PRI010-010	5125	Price qualifier Description: Identification of a type of price. CodeList Summary (Total Codes: 10, Included: 1) <table border="1"> <thead> <tr> <th><u>Code</u></th> <th><u>Name</u></th> </tr> </thead> <tbody> <tr> <td>CAL</td> <td>Calculation price</td> </tr> </tbody> </table> Description: <i>The price stated is the price for the calculation of the line item amount.</i>	<u>Code</u>	<u>Name</u>	CAL	Calculation price	M	AN	1/3	Must use
<u>Code</u>	<u>Name</u>									
CAL	Calculation price									
PRI010-020	5118	Price Description: The monetary value associated with a purchase or sale of an article, product or service.	C	N	1/15	Used				
PRI010-030	5375	Price type, coded Description: Code identifying the type of price of an item. CodeList Summary (Total Codes: 27, Included: 1) <table border="1"> <thead> <tr> <th><u>Code</u></th> <th><u>Name</u></th> </tr> </thead> <tbody> <tr> <td>TU</td> <td>Traded unit</td> </tr> </tbody> </table> Description: <i>The price is referring to the traded unit.</i>	<u>Code</u>	<u>Name</u>	TU	Traded unit	C	an	1/3	Used
<u>Code</u>	<u>Name</u>									
TU	Traded unit									

Example:

PRI+CAL:83.25:TU'

Structure:

A unit price of 0 is provided in case of rejected lines

Segment Group 51

Pos: 1990	Repeat: 100
Conditional	
Group: 51	Elements: N/A

User Option (Usage): Used

Segment Group Summary:

<u>Pos</u>	<u>Tag</u>	<u>Segment Name</u>	<u>Status</u>	<u>Rep</u>	<u>Usage</u>
2000	SCC	SCHEDULING CONDITIONS	M	1	Must use
2030		Segment Group 52	C	10	Used

SCC

SCHEDULING CONDITIONS

Pos: 2000	Max: 1
Mandatory	
Group: 51	Elements: 1

User Option (Usage): Must use

Function: To specify scheduling conditions.

Element Summary:

<u>Ref</u>	<u>Tag</u>	<u>Element Name</u>	<u>Status</u>	<u>Type</u>	<u>Min/Max</u>	<u>Usage</u>
SCC010	4017	DELIVERY PLAN STATUS INDICATOR, CODED	M	AN	1/3	Must use

Description: Code indicating the level of commitment of schedule information.

CodeList Summary (Total Codes: 23, Included: 1)

<u>Code</u>	<u>Name</u>
4	Planning/forecast

Description: *Self explanatory.*

Example:

SCC+4'

Segment Group 52

Pos: 2030	Repeat: 10
Conditional	
Group: 52	Elements: N/A

User Option (Usage): Used

Segment Group Summary:

<u>Pos</u>	<u>Tag</u>	<u>Segment Name</u>	<u>Status</u>	<u>Rep</u>	<u>Usage</u>
2040	QTY	QUANTITY	M	1	Must use
2050	DTM	DATE/TIME/PERIOD	C	5	Used

QTY

QUANTITY

Pos: 2040	Max: 1
Mandatory	
Group: 52	Elements: 1

User Option (Usage): Must use
Function: To specify a pertinent quantity.

Element Summary:

<u>Ref</u>	<u>Tag</u>	<u>Element Name</u>	<u>Status</u>	<u>Type</u>	<u>Min/Max</u>	<u>Usage</u>
QTY010	C186	QUANTITY DETAILS Description: Quantity information in a transaction, qualified when relevant.	M	Comp		Must use
QTY010-010	6063	Quantity qualifier Description: Code giving specific meaning to a quantity. CodeList Summary (Total Codes: 199, Included: 6)	M	AN	1/3	Must use
		Code		Name		
		12		Despatch quantity Description: <i>Quantity despatched by the seller.</i>		
		27		On hold for shipment Description: <i>Article received which cannot be shipped in its present form.</i>		
		66		Committed quantity Description: <i>Quantity a party is committed to.</i>		
		83		Backorder quantity Description: <i>Self explanatory.</i>		
		182		Cancelled quantity Description: <i>Quantity of the referenced item which has previously been ordered and is now cancelled.</i>		
		185		Rejected quantity Description: <i>The quantity of received goods rejected for quantity reasons.</i>		
QTY010-020	6060	Quantity Description: Numeric value of a quantity.	M	N	1/15	Must use

Example:

QTY+83:2'

Structure:

Qualifier 12 - shipping quantity - linked to DTM+11

Qualifier 83 - backordered quantity - linked to DTM+17 (no ETA given - date '00000000' will be provided)

Qualifier 182 - deleted / cancelled quantity - linked to DTM+46

DTM

DATE/TIME/PERIOD

Pos: 2050	Max: 5
Conditional	
Group: 52	Elements: 1

User Option (Usage): Used

Function: To specify date, and/or time, or period.

Element Summary:

<u>Ref</u>	<u>Tag</u>	<u>Element Name</u>	<u>Status</u>	<u>Type</u>	<u>Min/Max</u>	<u>Usage</u>
DTM010	C507	DATE/TIME/PERIOD	M	Comp		Must use
Description: Date and/or time, or period relevant to the specified date/time/period type.						
DTM010-010	2005	Date/time/period qualifier	M	AN	1/3	Must use
Description: Code giving specific meaning to a date, time or period.						
CodeList Summary (Total Codes: 364, Included: 5)						
		<u>Code</u>		<u>Name</u>		
		11		Despatch date and or time		
				Description: (2170) Date/time on which the goods are or are expected to be despatched or shipped.		
		17		Delivery date/time, estimated		
				Description: Date and/or time when the shipper of the goods expects delivery will take place.		
		46		Cancellation date		
				Description: Date on which a document or message has been cancelled.		
		191		Delivery date/time, expected		
				Description: Date/time on which goods are expected to be delivered.		
		271		Ship on or about date		
				Description: Date on or about which goods should be shipped.		
DTM010-020	2380	Date/time/period	C	AN	1/35	Used
Description: The value of a date, a date and time, a time or of a period in a specified representation.						
DTM010-030	2379	Date/time/period format qualifier	C	AN	1/3	Used
Description: Specification of the representation of a date, a date and time or of a period.						
CodeList Summary (Total Codes: 70, Included: 1)						
		<u>Code</u>		<u>Name</u>		
		102		CCYYMMDD		
				Description: Calendar date: C = Century ; Y = Year ; M = Month ; D = Day.		

Example:

DTM+17:20070816:102'

UNS

SECTION CONTROL

Pos: 2160	Max: 1
Mandatory	
Group: N/A	Elements: 1

User Option (Usage): Must use

Function: To separate header, detail, and summary sections of a message.

Element Summary:

<u>Ref</u>	<u>Tag</u>	<u>Element Name</u>	<u>Status</u>	<u>Type</u>	<u>Min/Max</u>	<u>Usage</u>
UNS010	0081	SECTION IDENTIFICATION	M	A	1/1	Must use

Description: A character identifying the next section in a message.

CodeList Summary (Total Codes: 2, Included: 1)

<u>Code</u>	<u>Name</u>
S	Detail/summary section separation

Description: *To qualify the segment UNS, when separating the detail from the summary section of a message.*

Example:

UNS+S'

CNT

CONTROL TOTAL

Pos: 2180	Max: 10
Conditional	
Group: N/A	Elements: 1

User Option (Usage): Used
Function: To provide control total.

Element Summary:

<u>Ref</u>	<u>Tag</u>	<u>Element Name</u>	<u>Status</u>	<u>Type</u>	<u>Min/Max</u>	<u>Usage</u>				
CNT010	C270	CONTROL Description: Control total for checking integrity of a message or part of a message.	M	Comp		Must use				
CNT010-010	6069	Control qualifier Description: Determines the source data elements in the message which forms the basis for 6066 Control value. CodeList Summary (Total Codes: 38, Included: 1) <table border="1"> <thead> <tr> <th><u>Code</u></th> <th><u>Name</u></th> </tr> </thead> <tbody> <tr> <td>2</td> <td>Number of line items in message</td> </tr> </tbody> </table> Description: <i>Self-explanatory.</i>	<u>Code</u>	<u>Name</u>	2	Number of line items in message	M	AN	1/3	Must use
<u>Code</u>	<u>Name</u>									
2	Number of line items in message									
CNT010-020	6066	Control value Description: Value obtained from summing the values specified by the Control Qualifier throughout the message (Hash total).	M	N	1/18	Must use				

Example:

CNT+2:5'

UNT

MESSAGE TRAILER

Pos: 2230	Max: 1
Mandatory	
Group: N/A	Elements: 2

User Option (Usage): Must use

Function: To end and check the completeness of a message.

Element Summary:

<u>Ref</u>	<u>Tag</u>	<u>Element Name</u>	<u>Status</u>	<u>Type</u>	<u>Min/Max</u>	<u>Usage</u>
UNT010	0074	NUMBER OF SEGMENTS IN A MESSAGE Description: Control count of number of segments in a message.	M	N	1/6	Must use
UNT020	0062	MESSAGE REFERENCE NUMBER Description: Unique message reference assigned by the sender.	M	AN	1/14	Must use

Example:

UNT+62+00000000000025'

UNZ INTERCHANGE TRAILER

Pos:	Max: 1
Mandatory	
Group: N/A	Elements: 2

User Option (Usage): Must use

Function: To end and check the completeness of an interchange.

Element Summary:

<u>Ref</u>	<u>Tag</u>	<u>Element Name</u>	<u>Status</u>	<u>Type</u>	<u>Min/Max</u>	<u>Usage</u>
UNZ010	0036	INTERCHANGE CONTROL COUNT Description: Count either of the number of messages or, if used, of the number of functional groups in an interchange.	M	N	1/6	Must use
UNZ020	0020	INTERCHANGE CONTROL REFERENCE Description: Unique reference assigned by the sender to an interchange.	M	AN	1/14	Must use

Example:

UNZ+19+00000000000036'

Sample Message

UNA:+.? '
 UNB+UNOC:2+004919486DE:01+RESELLER:14+210313:0412+00000000000036++ORDRSP'
 UNH+000000000000025+ORDRSP:D:97A:UN'
 BGM+231+4406361+11+AP'
 DTM+4:20210203:102'
 DTM+137:20210313:102'
 RFF+ON:CUSTOMER PO NUMBER'
 RFF+UO:4095104 - TEST ORDER'
 RFF+ADE:44999999'
 NAD+BY+A53316::92'
 NAD+SU+++INGRAM MICRO DISTRIBUTION GMBH++EUROPARING 20+STRAUBING++94315+DE'
 NAD+CN+++SHIP-TO NAME++ADDRESS LINE-1+CITY++POST CODE+DE'
 CTA+IC+:IECC ESOLUTIONS SUPPORT'
COM+ESOLUTIONS.SUPPORT@INGRAMMICRO.COM:EM
 CUX+2:EUR'
 TDT+20++M++UD'
 LIN+10+6+6780975:VP::91'
 PIA+1+99999999:BP::92'
 PIA+1+KTD-WS360A/1G:MF::90'
 IMD+F+:::1GB MEMORY KIT 2 MODULE'
 QTY+21:2'
 PRI+CAL:83.25:TU'
 SCC+4'
 QTY+83:2'
 DTM+17:20210316:102'
 UNS+S' CNT+2:5'
 UNT+26+000000000000025'
 UNZ+1+000000000000036'