



PRICAT Price/sales catalogue message

EDIFACT/D97A/PRICAT: PRICAT Price/sales catalogue message

Version: 1.0 Final

Author: Ingram Micro
Company:

Table of Contents

PRICAT	Price/sales catalogue message.....	1
	Branching Diagram - 1.....	2
	Branching Diagram - 2.....	3
	Branching Diagram - 3.....	4
UNB	INTERCHANGE HEADER	5
UNH	MESSAGE HEADER.....	7
BGM	BEGINNING OF MESSAGE	9
DTM	DATE/TIME/PERIOD.....	10
Group 2	Segment Group 2.....	11
NAD	NAME AND ADDRESS.....	12
Group 6	Segment Group 6.....	14
CUX	CURRENCIES	15
Group 16	Segment Group 16	16
PGI	PRODUCT GROUP INFORMATION.....	17
Group 26	Segment Group 26	18
NAD	NAME AND ADDRESS.....	19
Group 33	Segment Group 33	20
LIN	LINE ITEM	21
PIA	ADDITIONAL PRODUCT ID	22
IMD	ITEM DESCRIPTION.....	25
Group 37	Segment Group 37	26
PRI	PRICE DETAILS	27
RNG	RANGE DETAILS	28
UNT	MESSAGE TRAILER	29
UNZ	INTERCHANGE TRAILER	30

PRICAT

Price/sales catalogue message

Message Status=1

Not Defined:

<u>Pos</u>	<u>Tag</u>	<u>Segment Name</u>	<u>Status</u>	<u>Rep</u>	<u>Notes</u>	<u>Usage</u>
	UNB	INTERCHANGE HEADER	M	1		Must use

Heading:

<u>Pos</u>	<u>Tag</u>	<u>Segment Name</u>	<u>Status</u>	<u>Rep</u>	<u>Notes</u>	<u>Usage</u>
0010	UNH	MESSAGE HEADER	M	1	N1/0010	Must use
0020	BGM	BEGINNING OF MESSAGE	M	1	N1/0020	Must use
0030	DTM	DATE/TIME/PERIOD	M	35	N1/0030	Must use
0090		Segment Group 2	C	99	N1/0090	Used
0100	NAD	NAME AND ADDRESS	M	1	N1/0100	Must use
0220		Segment Group 6	C	5	N1/0220	Used
0230	CUX	CURRENCIES	M	1	N1/0230	Must use

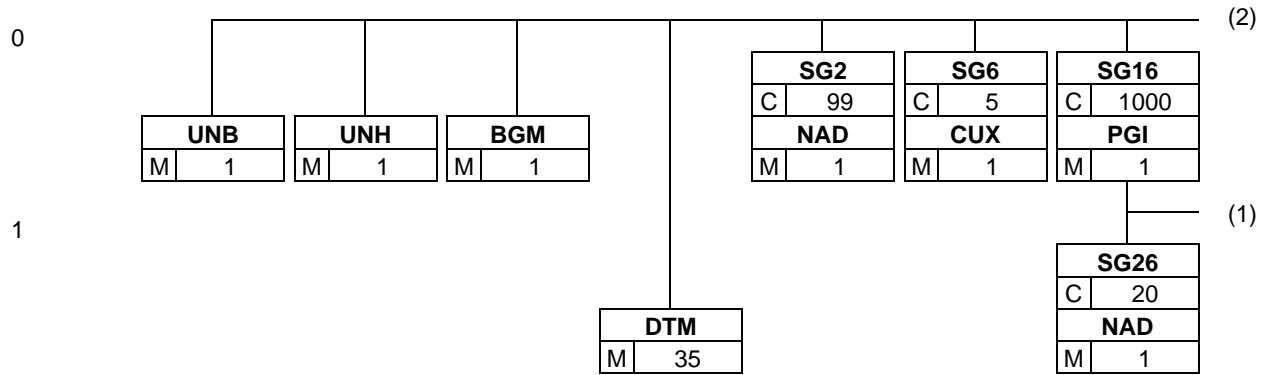
Detail:

<u>Pos</u>	<u>Tag</u>	<u>Segment Name</u>	<u>Status</u>	<u>Rep</u>	<u>Notes</u>	<u>Usage</u>
0560		Segment Group 16	C	1000	N2/0560	Used
0570	PGI	PRODUCT GROUP INFORMATION	M	1	N2/0570	Must use
0940		Segment Group 26	C	20	N2/0940	Used
0950	NAD	NAME AND ADDRESS	M	1	N2/0950	Must use
1180		Segment Group 33	C	999999	N2/1180	Used
1190	LIN	LINE ITEM	M	1	N2/1190	Must use
1200	PIA	ADDITIONAL PRODUCT ID	C	10	N2/1200	Used
1210	IMD	ITEM DESCRIPTION	C	999	N2/1210	Used
1430		Segment Group 37	C	100	N2/1430	Used
1440	PRI	PRICE DETAILS	M	1	N2/1440	Must use
1470	RNG	RANGE DETAILS	C	1	N2/1470	Used
1850	UNT	MESSAGE TRAILER	M	1	N2/1850	Must use

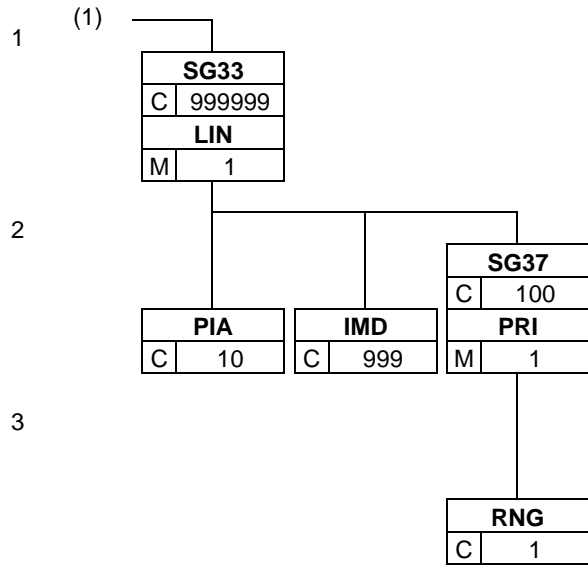
Not Defined:

<u>Pos</u>	<u>Tag</u>	<u>Segment Name</u>	<u>Status</u>	<u>Rep</u>	<u>Notes</u>	<u>Usage</u>
	UNZ	INTERCHANGE TRAILER	M	1		Must use

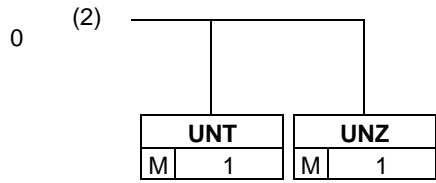
Branching Diagram: PRICAT(Price/sales catalogue message)



Branching Diagram: PRICAT(Price/sales catalogue message)



Branching Diagram: PRICAT(Price/sales catalogue message)



UNB INTERCHANGE HEADER

Pos:	Max: 1
Mandatory	
Group: N/A	Elements: 7

User Option (Usage): Must use

Function: To start, identify and specify an interchange.

Element Summary:

<u>Ref</u>	<u>Tag</u>	<u>Element Name</u>	<u>Status</u>	<u>Type</u>	<u>Min/Max</u>	<u>Usage</u>
UNB010	S001	SYNTAX IDENTIFIER	M	Comp		Must use
		Description: Identification of the agency controlling the syntax and indication of syntax level.				
UNB010-010	0001	Syntax identifier	M	a	4/4	Must use
		Description: Coded identification of the agency controlling a syntax and syntax level used in an interchange.				
		CodeList Summary (Total Codes: 6, Included: 1)				
		<u>Code</u>	<u>Name</u>			
		UNOC	UN/ECE level C			
		Description: <i>As defined in ISO 8859-1 : Information processing - Part 1: Latin alphabet No. 1.</i>				
UNB010-020	0002	Syntax version number	M	n	1/1	Must use
		Description: Version number of the syntax identified in the syntax identifier (0001).				
		CodeList Summary (Total Codes: 3, Included: 1)				
		<u>Code</u>	<u>Name</u>			
		2	Version 2			
		Description: <i>ISO 9735:1990.</i>				
UNB020	S002	INTERCHANGE SENDER	M	Comp		Must use
		Description: Identification of the sender of the interchange.				
UNB020-010	0004	Sender identification	M	an	1/35	Must use
		Description: Name or coded representation of the sender of a data interchange.				
UNB020-020	0007	Partner identification code qualifier	C	an	1/4	Used
		Description: Qualifier referring to the source of codes for the identifiers of interchanging partners.				
UNB030	S003	INTERCHANGE RECIPIENT	M	Comp		Must use
		Description: Identification of the recipient of the interchange.				
UNB030-010	0010	Recipient identification	M	an	1/35	Must use
		Description: Name or coded representation of the recipient of a data interchange.				
UNB030-020	0007	Partner identification code qualifier	C	an	1/4	Used

		Description: Qualifier referring to the source of codes for the identifiers of interchanging partners.				
UNB040	S004	DATE/TIME OF PREPARATION	M	Comp		Must use
		Description: Date/time of preparation of the interchange.				
UNB040-010	0017	Date of preparation	M	n	6/6	Must use
		Description: Local date when an interchange or a functional group was prepared.				
UNB040-020	0019	Time of preparation	M	n	4/4	Must use
		Description: Local time of day when an interchange or a functional group was prepared.				
UNB050	0020	Interchange control reference	M	an	1/14	Must use
		Description: Unique reference assigned by the sender to an interchange.				
UNB070	0026	Application reference	C	an	1/14	Used
		Description: Identification of the application area assigned by the sender, to which the messages in the interchange relate e.g. the message identifier if all the messages in the interchange are of the same type.				
UNB110	0035	Test indicator	C	n	1/1	Used
		Description: Indication that the interchange is a test. All valid standard codes are used. (Total Codes: 1)				

Example:

```
UNA:+.? '
UNB+UNOC:2+004919486XX:01+RESELLER:ZZ+100412:0630+00000000000001++PRICAT+
+++1'
```

UNH MESSAGE HEADER

Pos: 0010	Max: 1
Mandatory	
Group: N/A	Elements: 2

User Option (Usage): Must use
Function: To head, identify and specify a message.

Element Summary:

<u>Ref</u>	<u>Tag</u>	<u>Element Name</u>	<u>Status</u>	<u>Type</u>	<u>Min/Max</u>	<u>Usage</u>				
UNH010	0062	Message reference number Description: Unique message reference assigned by the sender.	M	an	1/14	Must use				
UNH020	S009	MESSAGE IDENTIFIER Description: Identification of the type, version etc. of the message being interchanged.	M	Comp		Must use				
UNH020-010	0065	Message type identifier Description: Code identifying a type of message and assigned by its controlling agency. CodeList Summary (Total Codes: 145, Included: 1) <table border="1"> <thead> <tr> <th><u>Code</u></th> <th><u>Name</u></th> </tr> </thead> <tbody> <tr> <td>PRICAT</td> <td>Price/sales catalogue message</td> </tr> </tbody> </table> Description: A code to identify the price/sales catalogue message.	<u>Code</u>	<u>Name</u>	PRICAT	Price/sales catalogue message	M	an	1/6	Must use
<u>Code</u>	<u>Name</u>									
PRICAT	Price/sales catalogue message									
UNH020-020	0052	Message type version number Description: Version number of a message type. CodeList Summary (Total Codes: 7, Included: 1) <table border="1"> <thead> <tr> <th><u>Code</u></th> <th><u>Name</u></th> </tr> </thead> <tbody> <tr> <td>D</td> <td>Draft version</td> </tr> </tbody> </table> Description: Message approved and issued as a draft message (Valid for directories published after March 1993 and prior to March 1997). Message approved as a standard message (Valid for directories published after March 1997).	<u>Code</u>	<u>Name</u>	D	Draft version	M	an	1/3	Must use
<u>Code</u>	<u>Name</u>									
D	Draft version									
UNH020-030	0054	Message type release number Description: Release number within the current message type version number (0052). CodeList Summary (Total Codes: 15, Included: 1) <table border="1"> <thead> <tr> <th><u>Code</u></th> <th><u>Name</u></th> </tr> </thead> <tbody> <tr> <td>97A</td> <td>Release 1997 - A</td> </tr> </tbody> </table> Description: Message approved and issued in the first 1997 release of the UNTDID (United Nations Trade Data Interchange Directory).	<u>Code</u>	<u>Name</u>	97A	Release 1997 - A	M	an	1/3	Must use
<u>Code</u>	<u>Name</u>									
97A	Release 1997 - A									
UNH020-040	0051	Controlling agency Description: Code identifying the agency controlling the specification, maintenance and publication of the message type. CodeList Summary (Total Codes: 20, Included: 1)	M	an	1/2	Must use				

<u>Code</u>	<u>Name</u>
UN	UN/ECE/TRADE/WP.4, United Nations Standard Messages (UNSM) Description: <i>UN Economic Commission for Europe (UN/ECE), Committee on the development of trade (TRADE), Working Party on facilitation of international trade procedures (WP.4).</i>

Example:

`UNH+00000000000001+PRICAT:D:97A:UN'`

BGM BEGINNING OF MESSAGE

Pos: 0020	Max: 1
Mandatory	
Group: N/A	Elements: 2

User Option (Usage): Must use

Function: To indicate the type and function of a message and to transmit the identifying number.

Element Summary:

<u>Ref</u>	<u>Tag</u>	<u>Element Name</u>	<u>Status</u>	<u>Type</u>	<u>Min/Max</u>	<u>Usage</u>
BGM010	C002	DOCUMENT/MESSAGE NAME	C	Comp		Used
		Description: Identification of a type of document/message by code or name. Code preferred.				
BGM010-010	1001	Document/message name, coded	C	an	1/3	Used
		Description: Document/message identifier expressed in code.				
		CodeList Summary (Total Codes: 424, Included: 1)				
		<u>Code</u>		<u>Name</u>		
		9		Price/sales catalogue		
				Description: <i>Self explanatory.</i>		
BGM030	1225	Message function, coded	C	an	1/3	Used
		Description: Code indicating the function of the message.				
		CodeList Summary (Total Codes: 55, Included: 2)				
		<u>Code</u>		<u>Name</u>		
		4		Change		
				Description: <i>Message containing items (e.g. line items, goods items, Customs items, equipment items) to be changed in a previously sent message.</i>		
		9		Original		
				Description: <i>Initial transmission related to a given transaction (full file)</i>		

Example:

BGM+9++9'

DTM DATE/TIME/PERIOD

Pos: 0030	Max: 35
Mandatory	
Group: N/A	Elements: 1

User Option (Usage): Must use

Function: To specify date, and/or time, or period.

Element Summary:

<u>Ref</u>	<u>Tag</u>	<u>Element Name</u>	<u>Status</u>	<u>Type</u>	<u>Min/Max</u>	<u>Usage</u>
DTM010	C507	DATE/TIME/PERIOD	M	Comp		Must use
		Description: Date and/or time, or period relevant to the specified date/time/period type.				
DTM010-010	2005	Date/time/period qualifier	M	an	1/3	Must use
		Description: Code giving specific meaning to a date, time or period.				
		CodeList Summary (Total Codes: 364, Included: 2)				
		<u>Code</u>	<u>Name</u>			
		7	Effective date/time			
			Description: <i>Date and/or time at which specified event or document becomes effective.</i>			
		137	Document/message date/time			
			Description: <i>(2006) Date/time when a document/message is issued. This may include authentication.</i>			
DTM010-020	2380	Date/time/period	C	an	1/35	Used
		Description: The value of a date, a date and time, a time or of a period in a specified representation.				
DTM010-030	2379	Date/time/period format qualifier	C	an	1/3	Used
		Description: Specification of the representation of a date, a date and time or of a period.				
		CodeList Summary (Total Codes: 70, Included: 1)				
		<u>Code</u>	<u>Name</u>			
		102	CCYMMDD			
			Description: <i>Calendar date: C = Century ; Y = Year ; M = Month ; D = Day.</i>			

Example:

DTM+7:20100409:102'

DTM+137:20100412:102'

Segment Group 2

Pos: 0090	Repeat: 99
Conditional	
Group: 2	Elements: N/A

User Option (Usage): Used

Segment Group Summary:

<u>Pos</u>	<u>Tag</u>	<u>Segment Name</u>	<u>Status</u>	<u>Rep</u>	<u>Usage</u>
0100	NAD	NAME AND ADDRESS	M	1	Must use

NAD NAME AND ADDRESS

Pos: 0100	Max: 1
Mandatory	
Group: 2	Elements: 3

User Option (Usage): Must use

Function: To specify the name/address and their related function, either by CO82 only and/or unstructured by CO58 or structured by CO80 thru 3207.

Element Summary:

<u>Ref</u>	<u>Tag</u>	<u>Element Name</u>	<u>Status</u>	<u>Type</u>	<u>Min/Max</u>	<u>Usage</u>
NAD010	3035	Party qualifier	M	an	1/3	Must use
		Description: Code giving specific meaning to a party.				
		CodeList Summary (Total Codes: 325, Included: 2)				
		<u>Code</u>		<u>Name</u>		
		BY		Buyer		
				Description: (3002) Party to which merchandise is sold.		
		SU		Supplier		
				Description: (3280) Party which manufactures or otherwise has possession of goods, and consigns or makes them available in trade.		
NAD020	C082	PARTY IDENTIFICATION DETAILS	C	Comp		Used
		Description: Identification of a transaction party by code.				
NAD020-010	3039	Party id. identification	M	an	1/35	Must use
		Description: Code identifying a party involved in a transaction.				
NAD020-020	1131	Code list qualifier	C	an	1/3	Used
		Description: Identification of a code list.				
		CodeList Summary (Total Codes: 123, Included: 1)				
		<u>Code</u>		<u>Name</u>		
		160		Party identification		
				Description: Identification of parties, corporates, etc.		
NAD020-030	3055	Code list responsible agency, coded	C	an	1/3	Used
		Description: Code identifying the agency responsible for a code list.				
		CodeList Summary (Total Codes: 195, Included: 1)				
		<u>Code</u>		<u>Name</u>		
		91		Assigned by seller or seller's agent		
				Description: Self explanatory.		
NAD040	C080	PARTY NAME	C	Comp		Used
		Description: Identification of a transaction party by name, one to five lines. Party name may be formatted.				
NAD040-010	3036	Party name	M	an	1/35	Must use
		Description: Name of a party involved in a transaction.				

Example:

NAD+SU+++INGRAM MICRO'

NAD+BY+99999999:160:91++RESELLER NAME'

Segment Group 6

Pos: 0220	Repeat: 5
Conditional	
Group: 6	Elements: N/A

User Option (Usage): Used

Segment Group Summary:

<u>Pos</u>	<u>Tag</u>	<u>Segment Name</u>	<u>Status</u>	<u>Rep</u>	<u>Usage</u>
0230	CUX	CURRENCIES	M	1	Must use

CUX CURRENCIES

Pos: 0230	Max: 1
Mandatory	
Group: 6	Elements: 1

User Option (Usage): Must use

Function: To specify currencies used in the transaction and relevant details for the rate of exchange.

Element Summary:

<u>Ref</u>	<u>Tag</u>	<u>Element Name</u>	<u>Status</u>	<u>Type</u>	<u>Min/Max</u>	<u>Usage</u>
CUX010	C504	CURRENCY DETAILS	C	Comp		Used
		Description: The usage to which a currency relates.				
CUX010-010	6347	Currency details qualifier	M	an	1/3	Must use
		Description: Specification of the usage to which the currency relates.				
		CodeList Summary (Total Codes: 7, Included: 1)				
		<u>Code</u>	<u>Name</u>			
		2	Reference currency			
		Description: <i>The currency applicable to amounts stated. It may have to be converted.</i>				
CUX010-020	6345	Currency, coded	C	an	1/3	Used
		Description: Identification of the name or symbol of the monetary unit involved in the transaction.				
CUX010-030	6343	Currency qualifier	C	an	1/3	Used
		Description: Code giving specific meaning to data element 6345 Currency.				
		CodeList Summary (Total Codes: 17, Included: 1)				
		<u>Code</u>	<u>Name</u>			
		8	Price list currency			
		Description: <i>The name or symbol of the monetary unit used in a price list.</i>				

Example:

CUX+2:EUR:8'

Segment Group 16

Pos: 0560 Repeat: 1000
 Conditional
 Group: 16 Elements: N/A

User Option (Usage): Used

Segment Group Summary:

<u>Pos</u>	<u>Tag</u>	<u>Segment Name</u>	<u>Status</u>	<u>Rep</u>	<u>Usage</u>
0570	PGI	PRODUCT GROUP INFORMATION	M	1	Must use
0940		Segment Group 26	C	20	Used
1180		Segment Group 33	C	999999	Used

PGI PRODUCT GROUP INFORMATION

Pos: 0570	Max: 1
Mandatory	
Group: 16	Elements: 2

User Option (Usage): Must use

Function: To indicate the group in which a product belongs.

Element Summary:

<u>Ref</u>	<u>Tag</u>	<u>Element Name</u>	<u>Status</u>	<u>Type</u>	<u>Min/Max</u>	<u>Usage</u>				
PGI010	5379	Product group type, coded	M	an	1/3	Must use				
<p>Description: Specification of the type of product group used for products.</p> <p>CodeList Summary (Total Codes: 11, Included: 1)</p> <table border="1"> <thead> <tr> <th><u>Code</u></th> <th><u>Name</u></th> </tr> </thead> <tbody> <tr> <td>2</td> <td>No price group used</td> </tr> </tbody> </table> <p>Description: <i>Self explanatory.</i></p>							<u>Code</u>	<u>Name</u>	2	No price group used
<u>Code</u>	<u>Name</u>									
2	No price group used									
PGI020	C288	PRODUCT GROUP	C	Comp		Used				
<p>Description: To give product group information.</p>										
PGI020-040	5388	Product group	C	an	1/35	Used				
<p>Description: Free form description allocated by the seller to identify uniquely his product group for a product or a series of products.</p>										

Example:

PGI+2+:::8438'

Segment Group 26

Pos: 0940	Repeat: 20
Conditional	
Group: 26	Elements: N/A

User Option (Usage): Used

Segment Group Summary:

<u>Pos</u>	<u>Tag</u>	<u>Segment Name</u>	<u>Status</u>	<u>Rep</u>	<u>Usage</u>
0950	NAD	NAME AND ADDRESS	M	1	Must use

NAD NAME AND ADDRESS

Pos: 0950	Max: 1
Mandatory	
Group: 26	Elements: 2

User Option (Usage): Must use

Function: To specify the name/address and their related function, either by CO82 only and/or unstructured by CO58 or structured by CO80 thru 3207.

Element Summary:

<u>Ref</u>	<u>Tag</u>	<u>Element Name</u>	<u>Status</u>	<u>Type</u>	<u>Min/Max</u>	<u>Usage</u>
NAD010	3035	Party qualifier	M	an	1/3	Must use
Description: Code giving specific meaning to a party.						
CodeList Summary (Total Codes: 325, Included: 1)						
		<u>Code</u>		<u>Name</u>		
		MF		Manufacturer of goods		
Description: <i>Party who manufactures the goods.</i>						
NAD040	C080	PARTY NAME	C	Comp		Used
Description: Identification of a transaction party by name, one to five lines. Party name may be formatted.						
NAD040-010	3036	Party name	M	an	1/35	Must use
Description: Name of a party involved in a transaction.						

Example:

NAD+MF+++MANUFACTURER NAME'

Segment Group 33

Pos: 1180	Repeat: 999999
Conditional	
Group: 33 Elements: N/A	

User Option (Usage): Used

Segment Group Summary:

<u>Pos</u>	<u>Tag</u>	<u>Segment Name</u>	<u>Status</u>	<u>Rep</u>	<u>Usage</u>
1190	LIN	LINE ITEM	M	1	Must use
1200	PIA	ADDITIONAL PRODUCT ID	C	10	Used
1210	IMD	ITEM DESCRIPTION	C	999	Used
1430		Segment Group 37	C	100	Used

LIN LINE ITEM

Pos: 1190	Max: 1
Mandatory	
Group: 33	Elements: 2

User Option (Usage): Must use
Function: To identify a line item and configuration.

Element Summary:

<u>Ref</u>	<u>Tag</u>	<u>Element Name</u>	<u>Status</u>	<u>Type</u>	<u>Min/Max</u>	<u>Usage</u>
LIN010	1082	Line item number	C	an	1/6	Used

Description: Serial number designating each separate item within a series of articles.

LIN020	1229	Action request/notification, coded	C	an	1/3	Used
--------	------	------------------------------------	---	----	-----	------

Description: Code specifying the action to be taken or already taken.

CodeList Summary (Total Codes: 25, Included: 3)

<u>Code</u>	<u>Name</u>
1	Added Description: <i>This line item is added to the referenced message.</i>
2	Deleted Description: <i>This line item is deleted from the referenced message.</i>
3	Changed Description: <i>This line item is changed in the referenced message.</i>

Example:

LIN+1+1'

PIA ADDITIONAL PRODUCT ID

Pos: 1200	Max: 10
Conditional	
Group: 33	Elements: 5

User Option (Usage): Used

Function: To specify additional or substitutional item identification codes.

Element Summary:

<u>Ref</u>	<u>Tag</u>	<u>Element Name</u>	<u>Status</u>	<u>Type</u>	<u>Min/Max</u>	<u>Usage</u>
PIA010	4347	Product id. function qualifier	M	an	1/3	Must use
Description: Indication of the function of the product code.						
CodeList Summary (Total Codes: 9, Included: 3)						
		<u>Code</u>		<u>Name</u>		
		1		Additional identification		
				Description: <i>Information which specifies and qualifies product identifications.</i>		
		3		Substituted by		
				Description: <i>The given item number is the number of the product that substitutes another one.</i>		
		5		Product identification		
				Description: <i>Self explanatory.</i>		
PIA020	C212	ITEM NUMBER IDENTIFICATION	M	Comp		Must use
Description: Goods identification for a specified source.						
PIA020-010	7140	Item number	C	an	1/35	Used
Description: A number allocated to a group or item.						
PIA020-020	7143	Item number type, coded	C	an	1/3	Used
Description: Identification of the type of item number.						
CodeList Summary (Total Codes: 86, Included: 2)						
		<u>Code</u>		<u>Name</u>		
		CG		Commodity grouping		
				Description: <i>Code for a group of articles with common characteristics (e.g. used for statistical purposes).</i>		
		SA		Supplier's article number		
				Description: <i>Number assigned to an article by the supplier of that article.</i>		
PIA020-040	3055	Code list responsible agency, coded	C	an	1/3	Used
Description: Code identifying the agency responsible for a code list.						
CodeList Summary (Total Codes: 195, Included: 1)						
		<u>Code</u>		<u>Name</u>		
		91		Assigned by seller or seller's agent		
				Description: <i>Self explanatory.</i>		
PIA040	C212	ITEM NUMBER IDENTIFICATION	C	Comp		Used
Description: Goods identification for a						

			specified source.				
PIA040-010	7140	Item number		C	an	1/35	Used
		Description:	A number allocated to a group or item.				
PIA040-020	7143	Item number type, coded		C	an	1/3	Used
		Description:	Identification of the type of item number.				
		CodeList Summary (Total Codes: 86, Included: 1)					
		Code	Name				
		EN	International Article Numbering Association (EAN)				
			Description:	<i>Number assigned to a manufacturer's product according to the International Article Numbering Association.</i>			
PIA040-040	3055	Code list responsible agency, coded		C	an	1/3	Used
		Description:	Code identifying the agency responsible for a code list.				
		CodeList Summary (Total Codes: 195, Included: 1)					
		Code	Name				
		9	EAN (International Article Numbering association)				
			Description:	<i>Self explanatory.</i>			
PIA050	C212	ITEM NUMBER IDENTIFICATION		C	Comp		Used
		Description:	Goods identification for a specified source.				
PIA050-010	7140	Item number		C	an	1/35	Used
		Description:	A number allocated to a group or item.				
PIA050-020	7143	Item number type, coded		C	an	1/3	Used
		Description:	Identification of the type of item number.				
		CodeList Summary (Total Codes: 86, Included: 1)					
		Code	Name				
		BP	Buyer's part number				
			Description:	<i>Reference number assigned by the buyer to identify an article.</i>			
PIA050-040	3055	Code list responsible agency, coded		C	an	1/3	Used
		Description:	Code identifying the agency responsible for a code list.				
		CodeList Summary (Total Codes: 195, Included: 1)					
		Code	Name				
		92	Assigned by buyer or buyer's agent				
			Description:	<i>Self explanatory.</i>			
PIA060	C212	ITEM NUMBER IDENTIFICATION		C	Comp		Used
		Description:	Goods identification for a specified source.				
PIA060-010	7140	Item number		C	an	1/35	Used
		Description:	A number allocated to a group or item.				

PIA060-020	7143	Item number type, coded	C	an	1/3	Used				
<p>Description: Identification of the type of item number.</p> <p>CodeList Summary (Total Codes: 86, Included: 1)</p> <table border="0"> <thead> <tr> <th style="text-align: left;"><u>Code</u></th> <th style="text-align: left;"><u>Name</u></th> </tr> </thead> <tbody> <tr> <td>MF</td> <td>Manufacturer's (producer's) article number</td> </tr> </tbody> </table> <p>Description: <i>The number given to an article by its manufacturer.</i></p>							<u>Code</u>	<u>Name</u>	MF	Manufacturer's (producer's) article number
<u>Code</u>	<u>Name</u>									
MF	Manufacturer's (producer's) article number									
PIA060-040	3055	Code list responsible agency, coded	C	an	1/3	Used				
<p>Description: Code identifying the agency responsible for a code list.</p>										

Example:

PIA+5+B750163:SA::91+4902520145406:EN::9+BUYER PART:BP::92+42681:MF::90'
 PIA+1+1022:CG::91'
 PIA+3+9041212'

IMD ITEM DESCRIPTION

Pos: 1210	Max: 999
Conditional	
Group: 33	Elements: 2

User Option (Usage): Used

Function: To describe an item in either an industry or free format.

Element Summary:

<u>Ref</u>	<u>Tag</u>	<u>Element Name</u>	<u>Status</u>	<u>Type</u>	<u>Min/Max</u>	<u>Usage</u>				
IMD010	7077	Item description type, coded Description: Code indicating the format of a description. CodeList Summary (Total Codes: 8, Included: 1) <table border="1"> <thead> <tr> <th><u>Code</u></th> <th><u>Name</u></th> </tr> </thead> <tbody> <tr> <td>F</td> <td>Free-form</td> </tr> </tbody> </table> Description: <i>Self explanatory.</i>	<u>Code</u>	<u>Name</u>	F	Free-form	C	an	1/3	Used
<u>Code</u>	<u>Name</u>									
F	Free-form									
IMD030	C273	ITEM DESCRIPTION Description: Description of an item.	C	Comp		Used				
IMD030-040	7008	Item description Description: Plain language description of articles or products.	C	an	1/35	Used				
IMD030-050	7008	Item description Description: Plain language description of articles or products.	C	an	1/35	Used				

Example:

IMD+F++:::DATA CARTRIDGE DLT IV SUPL:DLTIV'

Segment Group 37

Pos: 1430	Repeat: 100
Conditional	
Group: 37	Elements: N/A

User Option (Usage): Used

Segment Group Summary:

<u>Pos</u>	<u>Tag</u>	<u>Segment Name</u>	<u>Status</u>	<u>Rep</u>	<u>Usage</u>
1440	PRI	PRICE DETAILS	M	1	Must use
1470	RNG	RANGE DETAILS	C	1	Used

PRI PRICE DETAILS

Pos: 1440	Max: 1
Mandatory	
Group: 37	Elements: 1

User Option (Usage): Must use
Function: To specify price information.

Element Summary:

<u>Ref</u>	<u>Tag</u>	<u>Element Name</u>	<u>Status</u>	<u>Type</u>	<u>Min/Max</u>	<u>Usage</u>
PRI010	C509	PRICE INFORMATION	C	Comp		Used
Description: Identification of price type, price and related details.						
PRI010-010	5125	Price qualifier	M	an	1/3	Must use
Description: Identification of a type of price.						
CodeList Summary (Total Codes: 10, Included: 2)						
		<u>Code</u>		<u>Name</u>		
		CAL		Calculation price		
Description: <i>The price stated is the price for the calculation of the line item amount.</i>						
		INF		Information		
Description: <i>The price is provided for information.</i>						
PRI010-020	5118	Price	C	n	1/15	Used
Description: The monetary value associated with a purchase or sale of an article, product or service.						
PRI010-030	5375	Price type, coded	C	an	1/3	Used
Description: Code identifying the type of price of an item.						
CodeList Summary (Total Codes: 27, Included: 1)						
		<u>Code</u>		<u>Name</u>		
		TU		Traded unit		
Description: <i>The price is referring to the traded unit.</i>						
PRI010-040	5387	Price type qualifier	C	an	1/3	Used
Description: Code identifying pricing specification.						
CodeList Summary (Total Codes: 89, Included: 1)						
		<u>Code</u>		<u>Name</u>		
		NTP		Net unit price		
Description: <i>Unit price to which no allowances and charges apply.</i>						

Example:

PRI+CAL:23.46:TU:NTP'
 PRI+INF:25.59:TU:NTP'

RNG RANGE DETAILS

Pos: 1470	Max: 1
Conditional	
Group: 37	Elements: 2

User Option (Usage): Used
Function: To identify a range.

Element Summary:

<u>Ref</u>	<u>Tag</u>	<u>Element Name</u>	<u>Status</u>	<u>Type</u>	<u>Min/Max</u>	<u>Usage</u>				
RNG010	6167	Range type qualifier Description: Identification of the type of range. CodeList Summary (Total Codes: 13, Included: 1) <table border="1"> <thead> <tr> <th><u>Code</u></th> <th><u>Name</u></th> </tr> </thead> <tbody> <tr> <td>4</td> <td>Quantity range Description: <i>Self explanatory.</i></td> </tr> </tbody> </table>	<u>Code</u>	<u>Name</u>	4	Quantity range Description: <i>Self explanatory.</i>	M	an	1/3	Must use
<u>Code</u>	<u>Name</u>									
4	Quantity range Description: <i>Self explanatory.</i>									
RNG020	C280	RANGE Description: Range minimum and maximum limits.	C	Comp		Used				
RNG020-010	6411	Measure unit qualifier Description: Indication of the unit of measurement in which weight (mass), capacity, length, area, volume or other quantity is expressed.	M	an	1/3	Must use				
RNG020-020	6162	Range minimum Description: Minimum of a range.	C	n	1/18	Used				

Example:

RNG+4+TU:10'

UNT MESSAGE TRAILER

Pos: 1850	Max: 1
Mandatory	
Group: N/A	Elements: 2

User Option (Usage): Must use

Function: To end and check the completeness of a message.

Element Summary:

<u>Ref</u>	<u>Tag</u>	<u>Element Name</u>	<u>Status</u>	<u>Type</u>	<u>Min/Max</u>	<u>Usage</u>
UNT010	0074	Number of segments in a message Description: Control count of number of segments in a message.	M	n	1/6	Must use
UNT020	0062	Message reference number Description: Unique message reference assigned by the sender.	M	an	1/14	Must use

Example:

UNT+44+00000000000001'

UNZ INTERCHANGE TRAILER

Pos:	Max: 1
Mandatory	
Group: N/A	Elements: 2

User Option (Usage): Must use

Function: To end and check the completeness of an interchange.

Element Summary:

<u>Ref</u>	<u>Tag</u>	<u>Element Name</u>	<u>Status</u>	<u>Type</u>	<u>Min/Max</u>	<u>Usage</u>
UNZ010	0036	Interchange control count Description: Count either of the number of messages or, if used, of the number of functional groups in an interchange.	M	n	1/6	Must use
UNZ020	0020	Interchange control reference Description: Unique reference assigned by the sender to an interchange.	M	an	1/14	Must use

Example:

UNZ+1+00000000000001'

Sample Message

UNA:+.? '
UNB+UNOC:2+004919486XX:01+RESELLER:ZZ+100412:0630+00000000000001++PRICAT+ +++1'
UNH+00000000000001+PRICAT:D:97A:UN'
BGM+9++9'
DTM+7:20100409:102'
DTM+137:20100412:102'
NAD+SU+++INGRAM MICRO'
NAD+BY+99999999:160:91++RESELLER NAME'
CUX+2:EUR:8'
PGI+2+:::8438'
NAD+MF+++MANUFACTURER NAME'
LIN+1+1'
PIA+5+B750163:SA::91+4902520145406:EN::9+BUYER PART:BP::92+42681:MF::90'
PIA+1+1022:CG::91'
PIA+3+9041212'
IMD+F+:::DATA CARTRIDGE DLT IV SUPL:DLTIV'
PRI+CAL:23.46:TU:NTP'
PRI+INF:25.59:TU:NTP'
RNG+4+TU:10'
UNT+18+00000000000001'
UNZ+1+00000000000001'