



# **DESADV Despatch advice message**

**EDIFACT/D97A/DESADV: DESADV Despatch advice message**

## **Version: 1.0 Final**

<b>Author:</b>	<b>Ingram Micro</b>
<b>Company:</b>	
<b>Created:</b>	<b>24/02/2021</b>
<b>Modified:</b>	<b>24/02/2021</b>
<b>Current:</b>	<b>25/02/2021</b>



# Table of Contents

DESADV	Despatch advice message .....	1
	Branching Diagram - 1 .....	2
	Branching Diagram - 2 .....	3
	Branching Diagram - 3 .....	4
UNB	INTERCHANGE HEADER .....	5
UNH	MESSAGE HEADER .....	7
BGM	BEGINNING OF MESSAGE .....	9
DTM	DATE/TIME/PERIOD .....	10
Group 1	Segment Group 1 .....	11
RFF	REFERENCE .....	12
Group 2	Segment Group 2 .....	13
NAD	NAME AND ADDRESS .....	14
Group 4	Segment Group 4 .....	16
CTA	CONTACT INFORMATION .....	17
COM	COMMUNICATION CONTACT .....	18
Group 6	Segment Group 6 .....	19
TDT	DETAILS OF TRANSPORT .....	20
Group 10	Segment Group 10 .....	21
CPS	CONSIGNMENT PACKING SEQUENCE .....	22
Group 11	Segment Group 11 .....	23
PAC	PACKAGE .....	24
MEA	MEASUREMENTS .....	25
Group 13	Segment Group 13 .....	26
PCI	PACKAGE IDENTIFICATION .....	27
Group 14	Segment Group 14 .....	28
GIN	GOODS IDENTITY NUMBER .....	29
Group 15	Segment Group 15 .....	30
LIN	LINE ITEM .....	31
PIA	ADDITIONAL PRODUCT ID .....	32
IMD	ITEM DESCRIPTION .....	33
QTY	QUANTITY .....	34
GIN	GOODS IDENTITY NUMBER .....	35
CNT	CONTROL TOTAL .....	36
UNT	MESSAGE TRAILER .....	37
UNZ	INTERCHANGE TRAILER .....	38



# DESADV

## Despatch advice message

Message Status=

### Not Defined:

<u>Pos</u>	<u>Tag</u>	<u>Segment Name</u>	<u>Status</u>	<u>Rep</u>	<u>Notes</u>	<u>Usage</u>
	UNB	INTERCHANGE HEADER	M	1		Must use

### Heading:

<u>Pos</u>	<u>Tag</u>	<u>Segment Name</u>	<u>Status</u>	<u>Rep</u>	<u>Notes</u>	<u>Usage</u>
0010	UNH	MESSAGE HEADER	M	1	N1/0010	Must use
0020	BGM	BEGINNING OF MESSAGE	M	1	N1/0020	Must use
0030	DTM	DATE/TIME/PERIOD	C	10	N1/0030	Used
<b>0070</b>		<b>Segment Group 1</b>	<b>C</b>	<b>10</b>	<b>N1/0070</b>	<b>Used</b>
0080	RFF	REFERENCE	M	1	N1/0080	Must use
<b>0100</b>		<b>Segment Group 2</b>	<b>C</b>	<b>10</b>	<b>N1/0100</b>	<b>Used</b>
0110	NAD	NAME AND ADDRESS	M	1	N1/0110	Must use
<b>0160</b>		<b>Segment Group 4</b>	<b>C</b>	<b>10</b>	<b>N1/0160</b>	<b>Used</b>
0170	CTA	CONTACT INFORMATION	M	1	N1/0170	Must use
0180	COM	COMMUNICATION CONTACT	C	5	N1/0180	Used
<b>0230</b>		<b>Segment Group 6</b>	<b>C</b>	<b>10</b>	<b>N1/0230</b>	<b>Used</b>
0240	TDT	DETAILS OF TRANSPORT	M	1	N1/0240	Must use

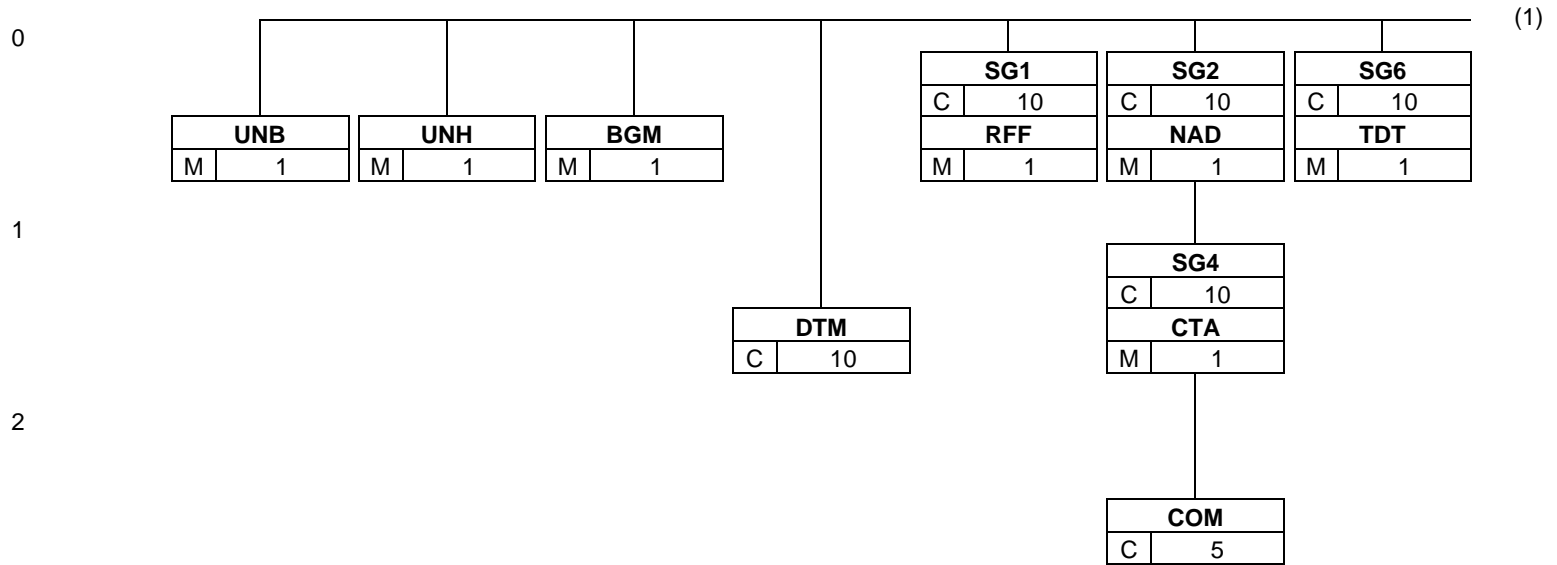
### Detail:

<u>Pos</u>	<u>Tag</u>	<u>Segment Name</u>	<u>Status</u>	<u>Rep</u>	<u>Notes</u>	<u>Usage</u>
<b>0370</b>		<b>Segment Group 10</b>	<b>C</b>	<b>9999</b>	<b>N2/0370</b>	<b>Used</b>
0380	CPS	CONSIGNMENT PACKING SEQUENCE	M	1	N2/0380	Must use
<b>0400</b>		<b>Segment Group 11</b>	<b>C</b>	<b>9999</b>	<b>N2/0400</b>	<b>Used</b>
0410	PAC	PACKAGE	M	1	N2/0410	Must use
0420	MEA	MEASUREMENTS	C	10	N2/0420	Used
<b>0470</b>		<b>Segment Group 13</b>	<b>C</b>	<b>1000</b>	<b>N2/0470</b>	<b>Used</b>
0480	PCI	PACKAGE IDENTIFICATION	M	1	N2/0480	Must use
<b>0520</b>		<b>Segment Group 14</b>	<b>C</b>	<b>99</b>	<b>N2/0520</b>	<b>Used</b>
0530	GIN	GOODS IDENTITY NUMBER	M	1	N2/0530	Must use
<b>0550</b>		<b>Segment Group 15</b>	<b>C</b>	<b>9999</b>	<b>N2/0550</b>	<b>Used</b>
0560	LIN	LINE ITEM	M	1	N2/0560	Must use
0570	PIA	ADDITIONAL PRODUCT ID	C	10	N2/0570	Used
0580	IMD	ITEM DESCRIPTION	C	25	N2/0580	Used
0600	QTY	QUANTITY	C	10	N2/0600	Used
0620	GIN	GOODS IDENTITY NUMBER	C	100	N2/0620	Used
1030	CNT	CONTROL TOTAL	C	5	N2/1030	Used
1040	UNT	MESSAGE TRAILER	M	1	N2/1040	Must use

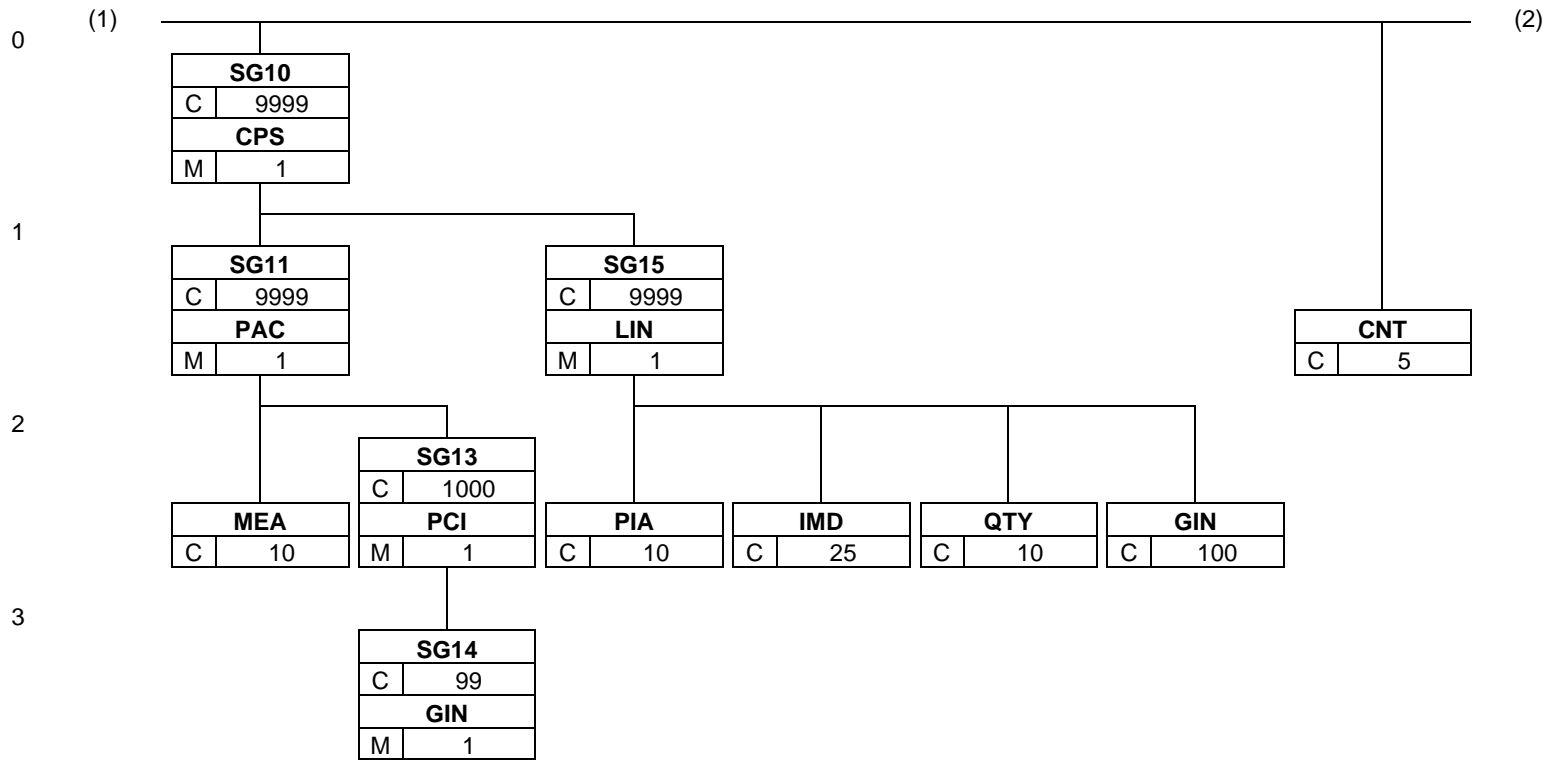
### Not Defined:

<u>Pos</u>	<u>Tag</u>	<u>Segment Name</u>	<u>Status</u>	<u>Rep</u>	<u>Notes</u>	<u>Usage</u>
	UNZ	INTERCHANGE TRAILER	M	1		Must use

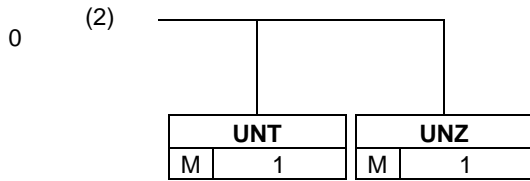
**Branching Diagram:** DESADV(Despatch advice message)



**Branching Diagram:** DESADV(Despatch advice message)



**Branching Diagram:** DESADV(Despatch advice message)





# UNB

# INTERCHANGE HEADER

Pos:	Max: 1
Mandatory	
Group: N/A	Elements: 7

**User Option (Usage):** Must use

**Function:** To start, identify and specify an interchange.

## Element Summary:

<u>Ref</u>	<u>Tag</u>	<u>Element Name</u>	<u>Status</u>	<u>Type</u>	<u>Min/Max</u>	<u>Usage</u>
UNB010	S001	<b>SYNTAX IDENTIFIER</b>	M	Comp		Must use
		<b>Description:</b> Identification of the agency controlling the syntax and indication of syntax level.				
UNB010-010	0001	<b>Syntax identifier</b>	M	a	4/4	Must use
		<b>Description:</b> Coded identification of the agency controlling a syntax and syntax level used in an interchange.				
		<b>CodeList Summary</b> (Total Codes: 6, Included: 1)				
		<u>Code</u>		<u>Name</u>		
		UNOC		UN/ECE level C		
				<b>Description:</b> <i>As defined in ISO 8859-1 : Information processing - Part 1: Latin alphabet No. 1.</i>		
UNB010-020	0002	<b>Syntax version number</b>	M	n	1/1	Must use
		<b>Description:</b> Version number of the syntax identified in the syntax identifier (0001).				
		<b>CodeList Summary</b> (Total Codes: 3, Included: 1)				
		<u>Code</u>		<u>Name</u>		
		2		Version 2		
				<b>Description:</b> <i>ISO 9735:1990.</i>		
UNB020	S002	<b>INTERCHANGE SENDER</b>	M	Comp		Must use
		<b>Description:</b> Identification of the sender of the interchange.				
UNB020-010	0004	<b>Sender identification</b>	M	an	1/35	Must use
		<b>Description:</b> Name or coded representation of the sender of a data interchange.				
UNB020-020	0007	<b>Partner identification code qualifier</b>	C	an	1/4	Used
		<b>Description:</b> Qualifier referring to the source of codes for the identifiers of interchanging partners.				
UNB030	S003	<b>INTERCHANGE RECIPIENT</b>	M	Comp		Must use
		<b>Description:</b> Identification of the recipient of the interchange.				
UNB030-010	0010	<b>Recipient identification</b>	M	an	1/35	Must use
		<b>Description:</b> Name or coded representation of the recipient of a data interchange.				
UNB030-020	0007	<b>Partner identification code qualifier</b>	C	an	1/4	Used
		<b>Description:</b> Qualifier referring to the source of codes for the identifiers of interchanging partners.				
UNB040	S004	<b>DATE/TIME OF PREPARATION</b>	M	Comp		Must use

		<b>Description:</b> Date/time of preparation of the interchange.				
UNB040-010	0017	<b>Date of preparation</b>	M	n	6/6	Must use
		<b>Description:</b> Local date when an interchange or a functional group was prepared.				
UNB040-020	0019	<b>Time of preparation</b>	M	n	4/4	Must use
		<b>Description:</b> Local time of day when an interchange or a functional group was prepared.				
UNB050	0020	<b>Interchange control reference</b>	M	an	1/14	Must use
		<b>Description:</b> Unique reference assigned by the sender to an interchange.				
UNB070	0026	<b>Application reference</b>	C	an	1/14	Used
		<b>Description:</b> Identification of the application area assigned by the sender, to which the messages in the interchange relate e.g. the message identifier if all the messages in the interchange are of the same type.				
UNB110	0035	<b>Test indicator</b>	C	n	1/1	Used
		<b>Description:</b> Indication that the interchange is a test.				

**CodeList Summary** (Total Codes: 1, Included: 1)

<u>Code</u>	<u>Name</u>	<u>Description</u>
1	Interchange is a test	<i>Indicates that the interchange is a test.</i>

**Example:**

UNA:+.? '  
 UNB+UNOC:2+004919486DE:01+RESELLER:14+070810:0412+00000000000036++DESADV'

# UNH

# MESSAGE HEADER

Pos: 0010	Max: 1
Mandatory	
Group: N/A	Elements: 2

**User Option (Usage):** Must use

**Function:** To head, identify and specify a message.

## Element Summary:

<u>Ref</u>	<u>Tag</u>	<u>Element Name</u>	<u>Status</u>	<u>Type</u>	<u>Min/Max</u>	<u>Usage</u>				
UNH010	0062	<b>MESSAGE REFERENCE NUMBER</b> <b>Description:</b> Unique message reference assigned by the sender.	M	AN	1/14	Must use				
UNH020	S009	<b>MESSAGE IDENTIFIER</b> <b>Description:</b> Identification of the type, version etc. of the message being interchanged.	M	Comp		Must use				
UNH020-010	0065	<b>Message type identifier</b> <b>Description:</b> Code identifying a type of message and assigned by its controlling agency. <b>CodeList Summary</b> (Total Codes: 145, Included: 1) <table border="1"> <thead> <tr> <th><u>Code</u></th> <th><u>Name</u></th> </tr> </thead> <tbody> <tr> <td>DESADV</td> <td>Despatch advice message</td> </tr> </tbody> </table> <b>Description:</b> A code to identify the despatch advice message.	<u>Code</u>	<u>Name</u>	DESADV	Despatch advice message	M	AN	1/6	Must use
<u>Code</u>	<u>Name</u>									
DESADV	Despatch advice message									
UNH020-020	0052	<b>Message type version number</b> <b>Description:</b> Version number of a message type. <b>CodeList Summary</b> (Total Codes: 7, Included: 1) <table border="1"> <thead> <tr> <th><u>Code</u></th> <th><u>Name</u></th> </tr> </thead> <tbody> <tr> <td>D</td> <td>Draft version</td> </tr> </tbody> </table> <b>Description:</b> Message approved and issued as a draft message (Valid for directories published after March 1993 and prior to March 1997). Message approved as a standard message (Valid for directories published after March 1997).	<u>Code</u>	<u>Name</u>	D	Draft version	M	AN	1/3	Must use
<u>Code</u>	<u>Name</u>									
D	Draft version									
UNH020-030	0054	<b>Message type release number</b> <b>Description:</b> Release number within the current message type version number (0052). <b>CodeList Summary</b> (Total Codes: 15, Included: 1) <table border="1"> <thead> <tr> <th><u>Code</u></th> <th><u>Name</u></th> </tr> </thead> <tbody> <tr> <td>97A</td> <td>Release 1997 - A</td> </tr> </tbody> </table> <b>Description:</b> Message approved and issued in the first 1997 release of the UNTDID (United Nations Trade Data Interchange Directory).	<u>Code</u>	<u>Name</u>	97A	Release 1997 - A	M	AN	1/3	Must use
<u>Code</u>	<u>Name</u>									
97A	Release 1997 - A									
UNH020-040	0051	<b>Controlling agency</b> <b>Description:</b> Code identifying the agency controlling the specification, maintenance and publication of the message type. <b>CodeList Summary</b> (Total Codes: 20, Included: 1) <table border="1"> <thead> <tr> <th><u>Code</u></th> <th><u>Name</u></th> </tr> </thead> <tbody> <tr> <td>UN</td> <td>UN/ECE/TRADE/WP.4, United Nations Standard Messages (UNSM)</td> </tr> </tbody> </table> <b>Description:</b> UN Economic Commission for Europe (UN/ECE), Committee on the development of trade (TRADE), Working Party on facilitation of international trade procedures (WP.4).	<u>Code</u>	<u>Name</u>	UN	UN/ECE/TRADE/WP.4, United Nations Standard Messages (UNSM)	M	AN	1/2	Must use
<u>Code</u>	<u>Name</u>									
UN	UN/ECE/TRADE/WP.4, United Nations Standard Messages (UNSM)									

## Example:

DESADV\_D97A.ecs

*UNH+00000000000025+DESADV:D:97A:UN'*

# BGM

## BEGINNING OF MESSAGE

Pos: 0020	Max: 1
Mandatory	
Group: N/A	Elements: 3

**User Option (Usage):** Must use

**Function:** To indicate the type and function of a message and to transmit the identifying number.

### Element Summary:

<u>Ref</u>	<u>Tag</u>	<u>Element Name</u>	<u>Status</u>	<u>Type</u>	<u>Min/Max</u>	<u>Usage</u>
BGM010	C002	<b>DOCUMENT/MESSAGE NAME</b>	C	Comp		Used
		<b>Description:</b> Identification of a type of document/message by code or name. Code preferred.				
BGM010-010	1001	<b>Document/message name, coded</b>	C	AN	1/3	Used
		<b>Description:</b> Document/message identifier expressed in code.				
		<b>CodeList Summary</b> (Total Codes: 424, Included: 1)				
		<u>Code</u>		<u>Name</u>		
		351		Despatch advice		
		<b>Description:</b> <i>Document/message by means of which the seller or consignor informs the consignee about the despatch of goods.</i>				
BGM020	C106	<b>DOCUMENT/MESSAGE IDENTIFICATION</b>	C	Comp		Used
		<b>Description:</b> Identification of a document/message by its number and eventually its version or revision.				
BGM020-010	1004	<b>Document/message number</b>	C	AN	1/35	Used
		<b>Description:</b> Reference number assigned to the document/message by the issuer.				
		<b>User Note 1:</b> <i>String of the Ingram Micro order number (9 digits) and the ship date in format YYMMDD</i>				
BGM030	1225	<b>MESSAGE FUNCTION, CODED</b>	C	AN	1/3	Used
		<b>Description:</b> Code indicating the function of the message.				
		<b>CodeList Summary</b> (Total Codes: 55, Included: 1)				
		<u>Code</u>		<u>Name</u>		
		9		Original		
		<b>Description:</b> <i>Initial transmission related to a given transaction.</i>				

### Example:

BGM+351+442424114070730+9'

# DTM

# DATE/TIME/PERIOD

Pos: 0030	Max: 10
Conditional	
Group: N/A	Elements: 1

**User Option (Usage):** Used

**Function:** To specify date, and/or time, or period.

## Element Summary:

<u>Ref</u>	<u>Tag</u>	<u>Element Name</u>	<u>Status</u>	<u>Type</u>	<u>Min/Max</u>	<u>Usage</u>
DTM010	C507	<b>DATE/TIME/PERIOD</b>	M	Comp		Must use
<b>Description:</b> Date and/or time, or period relevant to the specified date/time/period type.						
DTM010-010	2005	<b>Date/time/period qualifier</b>	M	AN	1/3	Must use
<b>Description:</b> Code giving specific meaning to a date, time or period.						
<b>CodeList Summary</b> (Total Codes: 364, Included: 3)						
		<u>Code</u>		<u>Name</u>		
		11		Despatch date and or time		
<b>Description:</b> (2170) Date/time on which the goods are or are expected to be despatched or shipped.						
		17		Delivery date/time, estimated		
<b>Description:</b> Date and/or time when the shipper of the goods expects delivery will take place.						
		137		Document/message date/time		
<b>Description:</b> (2006) Date/time when a document/message is issued. This may include authentication.						
DTM010-020	2380	<b>Date/time/period</b>	C	AN	1/35	Used
<b>Description:</b> The value of a date, a date and time, a time or of a period in a specified representation.						
DTM010-030	2379	<b>Date/time/period format qualifier</b>	C	AN	1/3	Used
<b>Description:</b> Specification of the representation of a date, a date and time or of a period.						
<b>CodeList Summary</b> (Total Codes: 70, Included: 1)						
		<u>Code</u>		<u>Name</u>		
		102		CCYYMMDD		
<b>Description:</b> Calendar date: C = Century ; Y = Year ; M = Month ; D = Day.						

## Example:

DTM+137:20070810:102'

DTM+11:20070730:102'

DTM+17:20070802:102'

# Segment Group 1

Pos: 0070	Repeat: 10
Conditional	
Group: 1	Elements: N/A

User Option (Usage): Used

## Segment Group Summary:

<u>Pos</u>	<u>Tag</u>	<u>Segment Name</u>	<u>Status</u>	<u>Rep</u>	<u>Usage</u>
0080	RFF	REFERENCE	M	1	Must use

# RFF REFERENCE

Pos: 0080	Max: 1
Mandatory	
Group: 1	Elements: 1

**User Option (Usage):** Must use  
**Function:** To specify a reference.

## Element Summary:

<u>Ref</u>	<u>Tag</u>	<u>Element Name</u>	<u>Status</u>	<u>Type</u>	<u>Min/Max</u>	<u>Usage</u>
RFF010	C506	<b>REFERENCE</b>	M	Comp		Must use
<b>Description:</b> Identification of a reference.						
RFF010-010	1153	<b>Reference qualifier</b>	M	AN	1/3	Must use
<b>Description:</b> Code giving specific meaning to a reference segment or a reference number.						
<b>CodeList Summary</b> (Total Codes: 504, Included: 1)						
		<u>Code</u>		<u>Name</u>		
		ON		Order number (purchase)		
<b>Description:</b> [1022] Reference number assigned by the buyer to an order.						
RFF010-020	1154	<b>Reference number</b>	C	AN	1/35	Used
<b>Description:</b> Identification number the nature and function of which can be qualified by an entry in data element 1153 Reference qualifier.						
<b>User Note 1:</b> Purchase order number of the reseller						

## Example:

RFF+ON:4501278619'



# Segment Group 2

Pos: 0100	Repeat: 10
	Conditional
Group: 2	Elements: N/A

User Option (Usage): Used

## Segment Group Summary:

<u>Pos</u>	<u>Tag</u>	<u>Segment Name</u>	<u>Status</u>	<u>Rep</u>	<u>Usage</u>
0110	NAD	NAME AND ADDRESS	M	1	Must use
0160		Segment Group 4	C	10	Used

# NAD NAME AND ADDRESS

Pos: 0110	Max: 1
Mandatory	
Group: 2	Elements: 7

**User Option (Usage):** Must use

**Function:** To specify the name/address and their related function, either by CO82 only and/or unstructured by CO58 or structured by CO80 thru 3207.

## Element Summary:

<u>Ref</u>	<u>Tag</u>	<u>Element Name</u>	<u>Status</u>	<u>Type</u>	<u>Min/Max</u>	<u>Usage</u>
NAD010	3035	<b>PARTY QUALIFIER</b>	M	AN	1/3	Must use
<b>Description:</b> Code giving specific meaning to a party.						
<b>CodeList Summary</b> (Total Codes: 325, Included: 2)						
		<u>Code</u>		<u>Name</u>		
		CN		Consignee		
				<b>Description:</b> (3132) Party to which goods are consigned.		
		SU		Supplier		
				<b>Description:</b> (3280) Party which manufactures or otherwise has possession of goods, and consigns or makes them available in trade.		
NAD020	C082	<b>PARTY IDENTIFICATION DETAILS</b>	C	Comp		Used
<b>Description:</b> Identification of a transaction party by code.						
NAD020-010	3039	<b>Party id. identification</b>	M	AN	1/35	Must use
<b>Description:</b> Code identifying a party involved in a transaction.						
NAD020-030	3055	<b>Code list responsible agency, coded</b>	C	AN	1/3	Used
<b>Description:</b> Code identifying the agency responsible for a code list.						
<b>CodeList Summary</b> (Total Codes: 195, Included: 3)						
		<u>Code</u>		<u>Name</u>		
		9		EAN (International Article Numbering association)		
				<b>Description:</b> Self explanatory.		
		91		Assigned by seller or seller's agent		
				<b>Description:</b> Self explanatory.		
		92		Assigned by buyer or buyer's agent		
				<b>Description:</b> Self explanatory.		
NAD040	C080	<b>PARTY NAME</b>	C	Comp		Used
<b>Description:</b> Identification of a transaction party by name, one to five lines. Party name may be formatted.						
NAD040-010	3036	<b>Party name</b>	M	AN	1/35	Must use
<b>Description:</b> Name of a party involved in a transaction.						
NAD040-020	3036	<b>Party name</b>	C	AN	1/35	Used
<b>Description:</b> Name of a party involved in a transaction.						
		Attention				
NAD050	C059	<b>STREET</b>	C	Comp		Used
<b>Description:</b> Street address and/or PO Box						

		number in a structured address: one to three lines.				
NAD050-010	3042	<b>Street and number/p.o. box</b> <b>Description:</b> Street and number in plain language, or Post Office Box No.	M	AN	1/35	Must use
NAD050-020	3042	<b>Street and number/p.o. box</b> <b>Description:</b> Street and number in plain language, or Post Office Box No.	C	AN	1/35	Used
NAD050-030	3042	<b>Street and number/p.o. box</b> <b>Description:</b> Street and number in plain language, or Post Office Box No.	C	AN	1/35	Used
NAD060	3164	<b>CITY NAME</b> <b>Description:</b> Name of a city (a town, a village) for addressing purposes.	C	AN	1/35	Used
NAD080	3251	<b>POSTCODE IDENTIFICATION</b> <b>Description:</b> Code defining postal zones or addresses.	C	AN	1/9	Used
NAD090	3207	<b>COUNTRY, CODED</b> <b>Description:</b> Identification of the name of a country or other geographical entity as specified in ISO 3166.	C	AN	1/3	Used

**Example:**

*NAD+SU+++INGRAM MICRO DISTRIBUTION GMBH++EUROPARING 20+STRAUBING++94315+DE'  
NAD+CN+++SHIP-TO NAME++ADDRESS LINE-1+CITY++POST CODE+DE'*

# Segment Group 4

Pos: 0160	Repeat: 10
Conditional	
Group: 4	Elements: N/A

User Option (Usage): Used

## Segment Group Summary:

<u>Pos</u>	<u>Tag</u>	<u>Segment Name</u>	<u>Status</u>	<u>Rep</u>	<u>Usage</u>
0170	CTA	CONTACT INFORMATION	M	1	Must use
0180	COM	COMMUNICATION CONTACT	C	5	Used

# CTA CONTACT INFORMATION

Pos: 0170	Max: 1
Mandatory	
Group: 4	Elements: 2

**User Option (Usage):** Must use

**Function:** To identify a person or a department to whom communication should be directed.

## Element Summary:

<u>Ref</u>	<u>Tag</u>	<u>Element Name</u>	<u>Status</u>	<u>Type</u>	<u>Min/Max</u>	<u>Usage</u>				
CTA010	3139	<b>CONTACT FUNCTION, CODED</b>	C	an	1/3	Used				
<p><b>Description:</b> Code specifying the function of a contact (e.g. department or person).</p> <p><b>CodeList Summary</b> (Total Codes: 85, Included: 1)</p> <table border="1"> <thead> <tr> <th><u>Code</u></th> <th><u>Name</u></th> </tr> </thead> <tbody> <tr> <td>IC</td> <td>Information contact</td> </tr> </tbody> </table> <p><b>Description:</b> <i>Department/person to contact for questions regarding transactions.</i></p>							<u>Code</u>	<u>Name</u>	IC	Information contact
<u>Code</u>	<u>Name</u>									
IC	Information contact									
CTA020	C056	<b>DEPARTMENT OR EMPLOYEE DETAILS</b>	C	Comp		Used				
<p><b>Description:</b> Code and/or name of a department or employee. Code preferred.</p>										
CTA020-020	3412	<b>Department or employee</b>	C	an	1/35	Used				
<p><b>Description:</b> The department or person within an organizational entity.</p>										

## Example:

CTA+IC+:IECC ESOLUTIONS SUPPORT'

# COM

# COMMUNICATION CONTACT

Pos: 0180	Max: 5
Conditional	
Group: 4	Elements: 1

**User Option (Usage):** Used

**Function:** To identify a communication number of a department or a person to whom communication should be directed.

## Element Summary:

<u>Ref</u>	<u>Tag</u>	<u>Element Name</u>	<u>Status</u>	<u>Type</u>	<u>Min/Max</u>	<u>Usage</u>
COM010	C076	<b>COMMUNICATION CONTACT</b> <b>Description:</b> Communication number of a department or employee in a specified channel.	M	Comp		Must use
COM010-010	3148	<b>Communication number</b> <b>Description:</b> The communication number.	M	an	1/512	Must use
COM010-020	3155	<b>Communication channel qualifier</b> <b>Description:</b> Code identifying the type of communication channel being used.	M	an	1/3	Must use
<b>CodeList Summary</b> (Total Codes: 27, Included: 1)						
		<b>Code</b>		<b>Name</b>		
		EM		Electronic mail		
				<b>Description:</b> <i>Creating/sending/receiving of unstructured free text messages or documents using computer network, a mini-computer or an attached modem and regular telephone line or other electronic transmission media.</i>		

## Example:

COM+ESOLUTIONS.SUPPORT@INGRAMMICRO.COM:EM'

# Segment Group 6

Pos: 0230	Repeat: 10
Conditional	
Group: 6	Elements: N/A

User Option (Usage): Used

## Segment Group Summary:

<u>Pos</u>	<u>Tag</u>	<u>Segment Name</u>	<u>Status</u>	<u>Rep</u>	<u>Usage</u>
0240	TDT	DETAILS OF TRANSPORT	M	1	Must use

# TDT

## DETAILS OF TRANSPORT

Pos: 0240	Max: 1
Mandatory	
Group: 6	Elements: 4

**User Option (Usage):** Must use

**Function:** To specify the transport details such as mode of transport, means of transport, its conveyance reference number and the identification of the means of transport. The segment may be pointed to by the TPL segment.

### Element Summary:

<u>Ref</u>	<u>Tag</u>	<u>Element Name</u>	<u>Status</u>	<u>Type</u>	<u>Min/Max</u>	<u>Usage</u>				
TDT010	8051	<b>TRANSPORT STAGE QUALIFIER</b>	M	AN	1/3	Must use				
<p><b>Description:</b> Qualifier giving a specific meaning to the transport details.</p> <p><b>CodeList Summary</b> (Total Codes: 17, Included: 1)</p> <table border="1"> <thead> <tr> <th><u>Code</u></th> <th><u>Name</u></th> </tr> </thead> <tbody> <tr> <td>20</td> <td>Main-carriage transport</td> </tr> </tbody> </table> <p><b>Description:</b> <i>The primary stage in the movement of cargo from the point of origin to the intended destination.</i></p>							<u>Code</u>	<u>Name</u>	20	Main-carriage transport
<u>Code</u>	<u>Name</u>									
20	Main-carriage transport									
TDT030	C220	<b>MODE OF TRANSPORT</b>	C	Comp		Used				
<p><b>Description:</b> Method of transport code or name. Code preferred.</p>										
TDT030-010	8067	<b>Mode of transport, coded</b>	C	AN	1/3	Used				
<p><b>Description:</b> Coded method of transport used for the carriage of the goods.</p>										
TDT040	C228	<b>TRANSPORT MEANS</b>	C	Comp		Used				
<p><b>Description:</b> Code and/or name identifying the type of means of transport.</p>										
TDT040-010	8179	<b>Type of means of transport identification</b>	C	AN	1/8	Used				
<p><b>Description:</b> Code defining the type of the means of transport being utilized.</p> <p><b>CodeList Summary</b> (Total Codes: 30, Included: 1)</p> <table border="1"> <thead> <tr> <th><u>Code</u></th> <th><u>Name</u></th> </tr> </thead> <tbody> <tr> <td>31</td> <td>Truck</td> </tr> </tbody> </table> <p><b>Description:</b> <i>Self explanatory.</i></p>							<u>Code</u>	<u>Name</u>	31	Truck
<u>Code</u>	<u>Name</u>									
31	Truck									
TDT050	C040	<b>CARRIER</b>	C	Comp		Used				
<p><b>Description:</b> Identification of a carrier by code and/or by name. Code preferred.</p>										
TDT050-010	3127	<b>Carrier identification</b>	C	AN	1/17	Used				
<p><b>Description:</b> Identification of party undertaking or arranging transport of goods between named points.</p>										
TDT050-040	3128	<b>Carrier name</b>	C	AN	1/35	Used				
<p><b>Description:</b> Name of party undertaking or arranging transport of goods between named points.</p>										

### Example:

TDT+20++30+31+TF:::TRANS-O-FLEX'



# Segment Group 10

Pos: 0370	Repeat: 9999
Conditional	
Group: 10	Elements: N/A

User Option (Usage): Used

## Segment Group Summary:

<u>Pos</u>	<u>Tag</u>	<u>Segment Name</u>	<u>Status</u>	<u>Rep</u>	<u>Usage</u>
0380	CPS	CONSIGNMENT PACKING SEQUENCE	M	1	Must use
0400		Segment Group 11	C	9999	Used
0550		Segment Group 15	C	9999	Used

# CPS

## CONSIGNMENT PACKING SEQUENCE

Pos: 0380	Max: 1
Mandatory	
Group: 10	Elements: 2

**User Option (Usage):** Must use

**Function:** To identify the sequence in which physical packing is presented in the consignment, and optionally to identify the hierarchical relationship between packing layers.

### Element Summary:

<u>Ref</u>	<u>Tag</u>	<u>Element Name</u>	<u>Status</u>	<u>Type</u>	<u>Min/Max</u>	<u>Usage</u>
CPS010	7164	<b>HIERARCHICAL ID. NUMBER</b> <b>Description:</b> A unique number assigned by the sender to identify a level within a hierarchical structure.	M	AN	1/12	Must use
CPS020	7166	<b>HIERARCHICAL PARENT ID.</b> <b>Description:</b> Identification number of the next higher hierarchical data segment in a hierarchical structure.	C	AN	1/12	Used

### Example:

*CPS+1'*

# Segment Group 11

Pos: 0400	Repeat: 9999
Conditional	
Group: 11	Elements: N/A

User Option (Usage): Used

## Segment Group Summary:

<u>Pos</u>	<u>Tag</u>	<u>Segment Name</u>	<u>Status</u>	<u>Rep</u>	<u>Usage</u>
0410	PAC	PACKAGE	M	1	Must use
0420	MEA	MEASUREMENTS	C	10	Used
0470		Segment Group 13	C	1000	Used

# PAC

# PACKAGE

Pos: 0410	Max: 1
Mandatory	
Group: 11	Elements: 3

**User Option (Usage):** Must use

**Function:** To describe the number and type of packages/physical units.

## Element Summary:

<u>Ref</u>	<u>Tag</u>	<u>Element Name</u>	<u>Status</u>	<u>Type</u>	<u>Min/Max</u>	<u>Usage</u>
PAC010	7224	<b>NUMBER OF PACKAGES</b> <b>Description:</b> Number of individual parts of a shipment either unpacked, or packed in such a way that they cannot be divided without first undoing the packing.	C	N	1/8	Used
PAC020	C531	<b>PACKAGING DETAILS</b> <b>Description:</b> Packaging level and details, terms and conditions.	C	Comp		Used
PAC030	C202	<b>PACKAGE TYPE</b> <b>Description:</b> Type of package by name or by code from a specified source.	C	Comp		Used
PAC030-010	7065	<b>Type of packages identification</b> <b>Description:</b> Coded description of the form in which goods are presented.	C	AN	1/17	Used

## Example:

*PAC+1'*

# MEA

# MEASUREMENTS

Pos: 0420	Max: 10
Conditional	
Group: 11	Elements: 3

**User Option (Usage):** Used

**Function:** To specify physical measurements, including dimension tolerances, weights and counts.

## Element Summary:

<u>Ref</u>	<u>Tag</u>	<u>Element Name</u>	<u>Status</u>	<u>Type</u>	<u>Min/Max</u>	<u>Usage</u>				
MEA010	6311	<b>MEASUREMENT PURPOSE QUALIFIER</b> <b>Description:</b> Specification of the purpose of the measurement. <b>CodeList Summary</b> (Total Codes: 88, Included: 1) <table border="1"> <thead> <tr> <th><u>Code</u></th> <th><u>Name</u></th> </tr> </thead> <tbody> <tr> <td>PD</td> <td>Physical dimensions (product ordered) <b>Description:</b> <i>Specified measurement dimensions refer to physical dimensions of a product, material or package.</i></td> </tr> </tbody> </table>	<u>Code</u>	<u>Name</u>	PD	Physical dimensions (product ordered) <b>Description:</b> <i>Specified measurement dimensions refer to physical dimensions of a product, material or package.</i>	M	AN	1/3	Must use
<u>Code</u>	<u>Name</u>									
PD	Physical dimensions (product ordered) <b>Description:</b> <i>Specified measurement dimensions refer to physical dimensions of a product, material or package.</i>									
MEA020	C502	<b>MEASUREMENT DETAILS</b> <b>Description:</b> Identification of measurement type.	C	Comp		Used				
MEA020-010	6313	<b>Property measured, coded</b> <b>Description:</b> Specification of the property measured. <b>CodeList Summary</b> (Total Codes: 229, Included: 1) <table border="1"> <thead> <tr> <th><u>Code</u></th> <th><u>Name</u></th> </tr> </thead> <tbody> <tr> <td>AAD</td> <td>Total gross weight <b>Description:</b> <i>[6292] Weight (mass) of goods including packing but excluding the carrier's equipment.</i></td> </tr> </tbody> </table>	<u>Code</u>	<u>Name</u>	AAD	Total gross weight <b>Description:</b> <i>[6292] Weight (mass) of goods including packing but excluding the carrier's equipment.</i>	C	AN	1/3	Used
<u>Code</u>	<u>Name</u>									
AAD	Total gross weight <b>Description:</b> <i>[6292] Weight (mass) of goods including packing but excluding the carrier's equipment.</i>									
MEA030	C174	<b>VALUE/RANGE</b> <b>Description:</b> Measurement value and relevant minimum and maximum tolerances in that order.	C	Comp		Used				
MEA030-010	6411	<b>Measure unit qualifier</b> <b>Description:</b> Indication of the unit of measurement in which weight (mass), capacity, length, area, volume or other quantity is expressed. <b>User Note 1:</b> 'KGM'	M	AN	1/3	Must use				
MEA030-020	6314	<b>Measurement value</b> <b>Description:</b> Value of the measured unit.	C	AN	1/18	Used				

## Example:

MEA+PD+AAD+KGM:31'

# Segment Group 13

Pos: 0470	Repeat: 1000
Conditional	
Group: 13	Elements: N/A

User Option (Usage): Used

## Segment Group Summary:

<u>Pos</u>	<u>Tag</u>	<u>Segment Name</u>	<u>Status</u>	<u>Rep</u>	<u>Usage</u>
0480	PCI	PACKAGE IDENTIFICATION	M	1	Must use
0520		Segment Group 14	C	99	Used

# PCI

# PACKAGE IDENTIFICATION

Pos: 0480	Max: 1
Mandatory	
Group: 13	Elements: 1

**User Option (Usage):** Must use

**Function:** To specify markings and labels on individual packages or physical units.

## Element Summary:

<u>Ref</u>	<u>Tag</u>	<u>Element Name</u>	<u>Status</u>	<u>Type</u>	<u>Min/Max</u>	<u>Usage</u>
PCI010	4233	MARKING INSTRUCTIONS, CODED	C	AN	1/3	Used

**Description:** Code indicating instructions on how specified packages or physical units should be marked.

**CodeList Summary** (Total Codes: 31, Included: 1)

<u>Code</u>	<u>Name</u>
30	Mark serial shipping container code

**Description:** Requests the marking of the serial shipping container code to the transport container or packaging.

## Example:

PCI+30'

# Segment Group 14

Pos: 0520	Repeat: 99
Conditional	
Group: 14	Elements: N/A

User Option (Usage): Used

## Segment Group Summary:

<u>Pos</u>	<u>Tag</u>	<u>Segment Name</u>	<u>Status</u>	<u>Rep</u>	<u>Usage</u>
0530	GIN	GOODS IDENTITY NUMBER	M	1	Must use



# GIN

## GOODS IDENTITY NUMBER

Pos: 0530	Max: 1
Mandatory	
Group: 14	Elements: 2

**User Option (Usage):** Must use

**Function:** To give specific identification numbers, either as single numbers or ranges.

### Element Summary:

<u>Ref</u>	<u>Tag</u>	<u>Element Name</u>	<u>Status</u>	<u>Type</u>	<u>Min/Max</u>	<u>Usage</u>				
GIN010	7405	<b>IDENTITY NUMBER QUALIFIER</b>	M	AN	1/3	Must use				
<p><b>Description:</b> Code specifying the type/source of identity number.</p> <p><b>CodeList Summary</b> (Total Codes: 55, Included: 1)</p> <table border="1"> <thead> <tr> <th><u>Code</u></th> <th><u>Name</u></th> </tr> </thead> <tbody> <tr> <td>BJ</td> <td>Serial shipping container code</td> </tr> </tbody> </table> <p><b>Description:</b> <i>Serial code uniquely identifying a shipping container.</i></p>							<u>Code</u>	<u>Name</u>	BJ	Serial shipping container code
<u>Code</u>	<u>Name</u>									
BJ	Serial shipping container code									
GIN020	C208	<b>IDENTITY NUMBER RANGE</b>	M	Comp		Must use				
<p><b>Description:</b> Goods item identification numbers, start and end of consecutively numbered range.</p>										
GIN020-010	7402	<b>Identity number</b>	M	AN	1/35	Must use				
<p><b>Description:</b> The number given to an object for its unique identification.</p>										

### Example:

*GIN+BJ+00340384891008929853'*

# Segment Group 15

Pos: 0550	Repeat: 9999
Conditional	
Group: 15	Elements: N/A

User Option (Usage): Used

## Segment Group Summary:

<u>Pos</u>	<u>Tag</u>	<u>Segment Name</u>	<u>Status</u>	<u>Rep</u>	<u>Usage</u>
0560	LIN	LINE ITEM	M	1	Must use
0570	PIA	ADDITIONAL PRODUCT ID	C	10	Used
0580	IMD	ITEM DESCRIPTION	C	25	Used
0600	QTY	QUANTITY	C	10	Used
0620	GIN	GOODS IDENTITY NUMBER	C	100	Used

# LIN LINE ITEM

Pos: 0560	Max: 1
Mandatory	
Group: 15	Elements: 2

**User Option (Usage):** Must use  
**Function:** To identify a line item and configuration.

## Element Summary:

<u>Ref</u>	<u>Tag</u>	<u>Element Name</u>	<u>Status</u>	<u>Type</u>	<u>Min/Max</u>	<u>Usage</u>				
LIN010	1082	<b>LINE ITEM NUMBER</b> <b>Description:</b> Serial number designating each separate item within a series of articles. <b>User Note 1:</b> <i>Customer Line Number if present, otherwise Ingram Micro Line Number</i>	C	AN	1/6	Used				
LIN030	C212	<b>ITEM NUMBER IDENTIFICATION</b> <b>Description:</b> Goods identification for a specified source.	C	Comp		Used				
LIN030-010	7140	<b>Item number</b> <b>Description:</b> A number allocated to a group or item.	C	AN	1/35	Used				
LIN030-020	7143	<b>Item number type, coded</b> <b>Description:</b> Identification of the type of item number. <b>CodeList Summary</b> (Total Codes: 86, Included: 1) <table border="1"> <thead> <tr> <th><u>Code</u></th> <th><u>Name</u></th> </tr> </thead> <tbody> <tr> <td>VP</td> <td>Vendor's (seller's) part number</td> </tr> </tbody> </table> <b>Description:</b> <i>Reference number assigned by a vendor/seller identifying an article.</i>	<u>Code</u>	<u>Name</u>	VP	Vendor's (seller's) part number	C	AN	1/3	Used
<u>Code</u>	<u>Name</u>									
VP	Vendor's (seller's) part number									
LIN030-040	3055	<b>Code list responsible agency, coded</b> <b>Description:</b> Code identifying the agency responsible for a code list. <b>CodeList Summary</b> (Total Codes: 195, Included: 1) <table border="1"> <thead> <tr> <th><u>Code</u></th> <th><u>Name</u></th> </tr> </thead> <tbody> <tr> <td>91</td> <td>Assigned by seller or seller's agent</td> </tr> </tbody> </table> <b>Description:</b> <i>Self explanatory.</i>	<u>Code</u>	<u>Name</u>	91	Assigned by seller or seller's agent	C	AN	1/3	Used
<u>Code</u>	<u>Name</u>									
91	Assigned by seller or seller's agent									

## Example:

*LIN+10++4517562:VP::91'*

# PIA

# ADDITIONAL PRODUCT ID

Pos: 0570	Max: 10
Conditional	
Group: 15	Elements: 2

**User Option (Usage):** Used

**Function:** To specify additional or substitutional item identification codes.

## Element Summary:

<u>Ref</u>	<u>Tag</u>	<u>Element Name</u>	<u>Status</u>	<u>Type</u>	<u>Min/Max</u>	<u>Usage</u>								
PIA010	4347	<b>PRODUCT ID. FUNCTION QUALIFIER</b> <b>Description:</b> Indication of the function of the product code. <b>CodeList Summary</b> (Total Codes: 9, Included: 1) <table border="1"> <thead> <tr> <th><u>Code</u></th> <th><u>Name</u></th> </tr> </thead> <tbody> <tr> <td>1</td> <td>Additional identification</td> </tr> </tbody> </table> <b>Description:</b> <i>Information which specifies and qualifies product identifications.</i>	<u>Code</u>	<u>Name</u>	1	Additional identification	M	AN	1/3	Must use				
<u>Code</u>	<u>Name</u>													
1	Additional identification													
PIA020	C212	<b>ITEM NUMBER IDENTIFICATION</b> <b>Description:</b> Goods identification for a specified source.	M	Comp		Must use								
PIA020-010	7140	<b>Item number</b> <b>Description:</b> A number allocated to a group or item.	C	AN	1/35	Used								
PIA020-020	7143	<b>Item number type, coded</b> <b>Description:</b> Identification of the type of item number. <b>CodeList Summary</b> (Total Codes: 86, Included: 3) <table border="1"> <thead> <tr> <th><u>Code</u></th> <th><u>Name</u></th> </tr> </thead> <tbody> <tr> <td>BP</td> <td>Buyer's part number</td> </tr> <tr> <td>EN</td> <td>International Article Numbering Association (EAN)</td> </tr> <tr> <td>MF</td> <td>Manufacturer's (producer's) article number</td> </tr> </tbody> </table> <b>Description:</b> <i>The number given to an article by its manufacturer.</i>	<u>Code</u>	<u>Name</u>	BP	Buyer's part number	EN	International Article Numbering Association (EAN)	MF	Manufacturer's (producer's) article number	C	AN	1/3	Used
<u>Code</u>	<u>Name</u>													
BP	Buyer's part number													
EN	International Article Numbering Association (EAN)													
MF	Manufacturer's (producer's) article number													
PIA020-040	3055	<b>Code list responsible agency, coded</b> <b>Description:</b> Code identifying the agency responsible for a code list. <b>CodeList Summary</b> (Total Codes: 195, Included: 3) <table border="1"> <thead> <tr> <th><u>Code</u></th> <th><u>Name</u></th> </tr> </thead> <tbody> <tr> <td>9</td> <td>EAN (International Article Numbering association)</td> </tr> <tr> <td>90</td> <td>Assigned by manufacturer</td> </tr> <tr> <td>92</td> <td>Assigned by buyer or buyer's agent</td> </tr> </tbody> </table> <b>Description:</b> <i>Self explanatory.</i>	<u>Code</u>	<u>Name</u>	9	EAN (International Article Numbering association)	90	Assigned by manufacturer	92	Assigned by buyer or buyer's agent	C	AN	1/3	Used
<u>Code</u>	<u>Name</u>													
9	EAN (International Article Numbering association)													
90	Assigned by manufacturer													
92	Assigned by buyer or buyer's agent													

## Example:

PIA+1+0734646724616:EN::9'  
PIA+1+BUYERPART:BP::92'  
PIA+1+0020G0461:MF::90'

# IMD

## ITEM DESCRIPTION

Pos: 0580	Max: 25
Conditional	
Group: 15	Elements: 2

**User Option (Usage):** Used

**Function:** To describe an item in either an industry or free format.

### Element Summary:

<u>Ref</u>	<u>Tag</u>	<u>Element Name</u>	<u>Status</u>	<u>Type</u>	<u>Min/Max</u>	<u>Usage</u>				
IMD010	7077	<b>ITEM DESCRIPTION TYPE, CODED</b> <b>Description:</b> Code indicating the format of a description. <b>CodeList Summary</b> (Total Codes: 8, Included: 1) <table border="1"> <thead> <tr> <th><u>Code</u></th> <th><u>Name</u></th> </tr> </thead> <tbody> <tr> <td>F</td> <td>Free-form</td> </tr> </tbody> </table> <b>Description:</b> <i>Self explanatory.</i>	<u>Code</u>	<u>Name</u>	F	Free-form	C	AN	1/3	Used
<u>Code</u>	<u>Name</u>									
F	Free-form									
IMD030	C273	<b>ITEM DESCRIPTION</b> <b>Description:</b> Description of an item.	C	Comp		Used				
IMD030-040	7008	<b>Item description</b> <b>Description:</b> Plain language description of articles or products.	C	AN	1/35	Used				
IMD030-050	7008	<b>Item description</b> <b>Description:</b> Plain language description of articles or products.	C	AN	1/35	Used				

### Example:

IMD+F++::T644TN MONOLASER A4 47 PPM:128MB 1000BL.PAR USB 10/100BTX'

# QTY

# QUANTITY

Pos: 0600	Max: 10
Conditional	
Group: 15	Elements: 1

**User Option (Usage):** Used

**Function:** To specify a pertinent quantity.

## Element Summary:

<u>Ref</u>	<u>Tag</u>	<u>Element Name</u>	<u>Status</u>	<u>Type</u>	<u>Min/Max</u>	<u>Usage</u>				
QTY010	C186	<b>QUANTITY DETAILS</b> <b>Description:</b> Quantity information in a transaction, qualified when relevant.	M	Comp		Must use				
QTY010-010	6063	<b>Quantity qualifier</b> <b>Description:</b> Code giving specific meaning to a quantity. <b>CodeList Summary</b> (Total Codes: 199, Included: 1) <table border="1"> <thead> <tr> <th><u>Code</u></th> <th><u>Name</u></th> </tr> </thead> <tbody> <tr> <td>12</td> <td>Despatch quantity</td> </tr> </tbody> </table> <b>Description:</b> <i>Quantity despatched by the seller.</i>	<u>Code</u>	<u>Name</u>	12	Despatch quantity	M	AN	1/3	Must use
<u>Code</u>	<u>Name</u>									
12	Despatch quantity									
QTY010-020	6060	<b>Quantity</b> <b>Description:</b> Numeric value of a quantity.	M	N	1/15	Must use				

## Example:

QTY+12:1'

# GIN

## GOODS IDENTITY NUMBER

Pos: 0620	Max: 100
Conditional	
Group: 15	Elements: 2

**User Option (Usage):** Used

**Function:** To give specific identification numbers, either as single numbers or ranges.

### Element Summary:

<u>Ref</u>	<u>Tag</u>	<u>Element Name</u>	<u>Status</u>	<u>Type</u>	<u>Min/Max</u>	<u>Usage</u>				
GIN010	7405	<b>IDENTITY NUMBER QUALIFIER</b> <b>Description:</b> Code specifying the type/source of identity number. <b>CodeList Summary</b> (Total Codes: 55, Included: 1) <table border="1"> <thead> <tr> <th><u>Code</u></th> <th><u>Name</u></th> </tr> </thead> <tbody> <tr> <td>BN</td> <td>Serial number</td> </tr> </tbody> </table> <b>Description:</b> <i>Identification number of an item which distinguishes this specific item out of a number of identical items.</i>	<u>Code</u>	<u>Name</u>	BN	Serial number	M	AN	1/3	Must use
<u>Code</u>	<u>Name</u>									
BN	Serial number									
GIN020	C208	<b>IDENTITY NUMBER RANGE</b> <b>Description:</b> Goods item identification numbers, start and end of consecutively numbered range.	M	Comp		Must use				
GIN020-010	7402	<b>Identity number</b> <b>Description:</b> The number given to an object for its unique identification.	M	AN	1/35	Must use				

### Example:

*GIN+BN+S791GDFB'*

# CNT

# CONTROL TOTAL

Pos: 1030	Max: 5
Conditional	
Group: N/A	Elements: 1

**User Option (Usage):** Used  
**Function:** To provide control total.

## Element Summary:

<u>Ref</u>	<u>Tag</u>	<u>Element Name</u>	<u>Status</u>	<u>Type</u>	<u>Min/Max</u>	<u>Usage</u>				
CNT010	C270	<b>CONTROL</b> <b>Description:</b> Control total for checking integrity of a message or part of a message.	M	Comp		Must use				
CNT010-010	6069	<b>Control qualifier</b> <b>Description:</b> Determines the source data elements in the message which forms the basis for 6066 Control value. <b>CodeList Summary</b> (Total Codes: 38, Included: 1) <table border="1"> <thead> <tr> <th><u>Code</u></th> <th><u>Name</u></th> </tr> </thead> <tbody> <tr> <td>2</td> <td>Number of line items in message <b>Description:</b> <i>Self-explanatory.</i></td> </tr> </tbody> </table>	<u>Code</u>	<u>Name</u>	2	Number of line items in message <b>Description:</b> <i>Self-explanatory.</i>	M	AN	1/3	Must use
<u>Code</u>	<u>Name</u>									
2	Number of line items in message <b>Description:</b> <i>Self-explanatory.</i>									
CNT010-020	6066	<b>Control value</b> <b>Description:</b> Value obtained from summing the values specified by the Control Qualifier throughout the message (Hash total).	M	N	1/18	Must use				

## Example:

CNT+2:1'



# UNT

## MESSAGE TRAILER

Pos: 1040	Max: 1
Mandatory	
Group: N/A	Elements: 2

**User Option (Usage):** Must use

**Function:** To end and check the completeness of a message.

### Element Summary:

<u>Ref</u>	<u>Tag</u>	<u>Element Name</u>	<u>Status</u>	<u>Type</u>	<u>Min/Max</u>	<u>Usage</u>
UNT010	0074	<b>NUMBER OF SEGMENTS IN A MESSAGE</b> <b>Description:</b> Control count of number of segments in a message.	M	N	1/6	Must use
UNT020	0062	<b>MESSAGE REFERENCE NUMBER</b> <b>Description:</b> Unique message reference assigned by the sender.	M	AN	1/14	Must use

### Example:

*UNT+23+00000000000025'*

# UNZ INTERCHANGE TRAILER

Pos:	Mandatory	Max: 1
Group: N/A		Elements: 2

**User Option (Usage):** Must use

**Function:** To end and check the completeness of an interchange.

## Element Summary:

<u>Ref</u>	<u>Tag</u>	<u>Element Name</u>	<u>Status</u>	<u>Type</u>	<u>Min/Max</u>	<u>Usage</u>
UNZ010	0036	<b>Interchange control count</b> <b>Description:</b> Count either of the number of messages or, if used, of the number of functional groups in an interchange.	M	n	1/6	Must use
UNZ020	0020	<b>Interchange control reference</b> <b>Description:</b> Unique reference assigned by the sender to an interchange.	M	an	1/14	Must use

## Example:

*UNZ+19+00000000000036'*

# Sample Messages

Single Carton – single Line

UNA:+.? '  
 UNB+UNOC:2+004919486DE:01+RESELLER:14+070810:0412+00000000000036++DESADV'  
 UNH+000000000000025+DESADV:D:97A:UN'  
 BGM+351+442424114070730+9'  
 DTM+137:20070810:102'  
 DTM+11:20070730:102'  
 DTM+17:20070802:102'  
 RFF+ON:4501278619'  
 NAD+SU+++INGRAM MICRO DISTRIBUTION GMBH++EUROPARING 20+STRAUBING++94315+DE'  
 NAD+CN+++SHIP-TO NAME++ADDRESS LINE-1+CITY++POST CODE+DE'  
 CTA+IC+:IECC ESOLUTIONS SUPPORT'  
 COM+ESOLUTIONS.SUPPORT@INGRAMMICRO.COM:EM'  
 TDT+20+++30+31+TF:::TRANS-O-FLEX'  
 CPS+1'  
 PAC+1'  
 MEA+PD+AAD+KGM:31'  
 PCI+30'  
 GIN+BJ+00340384891008929853'  
 LIN+10++4517562:VP::91'  
 PIA+1+0734646724616:EN::9'  
 PIA+1+BUYERPART:BP::92'  
 PIA+1+0020G0461:MF::90'  
 IMD+F+:::T644TN MONOLASER A4 47 PPM:128MB 1000BL.PAR USB 10/100BTX'  
 QTY+12:1'  
 GIN+BN+S791GDFB'  
 CNT+2:1'  
 UNT+25+00000000000025'  
 UNZ+19+00000000000036'

Single Carton – multiple lines

UNA:+.? '  
 UNB+UNOC:2+004919486DE:01+RESELLER:14+070810:0412+00000000000036++DESADV'  
 UNH+000000000000025+DESADV:D:97A:UN'  
 BGM+351+442424114070730+9'  
 DTM+137:20070810:102'  
 DTM+11:20070730:102'  
 DTM+17:20070802:102'  
 RFF+ON:4501278619'  
 NAD+SU+++INGRAM MICRO DISTRIBUTION GMBH++EUROPARING 20+STRAUBING++94315+DE'  
 NAD+CN+++SHIP-TO NAME++ADDRESS LINE-1+CITY++POST CODE+DE'  
 CTA+IC+:IECC ESOLUTIONS SUPPORT'  
 COM+ESOLUTIONS.SUPPORT@INGRAMMICRO.COM:EM'  
 TDT+20++30+31+TF:::TRANS-O-FLEX'  
 CPS+1'  
 PAC+1'  
 MEA+PD+AAD+KGM:31'  
 PCI+30'  
 GIN+BJ+00340384891008929853'  
 LIN+10++4517562:VP::91'  
 PIA+1+0734646724616:EN::9'  
 PIA+1+BUYERPART:BP::92'  
 PIA+1+0020G0461:MF::90'  
 IMD+F+:::T644TN MONOLASER A4 47 PPM:128MB 1000BL.PAR USB 10/100BTX'  
 QTY+12:1'  
 GIN+BN+S791GDFB'  
 LIN+20++4517562:VP::91'  
 PIA+1+93246724616:EN::9'  
 PIA+1+BUYERPART:BP::92'  
 PIA+1+XX20G0461:MF::90'  
 IMD+F+::: ANM+:::12.9-INCH IPAD PRO WI-FI        SYST'  
 QTY+12:1'  
 CNT+2:1'  
 UNT+31+00000000000025'  
 UNZ+19+00000000000036'

Multiple Cartons

UNA:+.? '  
 UNB+UNOC:2+004919486DE:01+RESELLER:14+070810:0412+00000000000036++DESADV'  
 UNH+000000000000025+DESADV:D:97A:UN'  
 BGM+351+442424114070730+9'  
 DTM+137:20070810:102'  
 DTM+11:20070730:102'  
 DTM+17:20070802:102'  
 RFF+ON:4501278619'  
 NAD+SU+++INGRAM MICRO DISTRIBUTION GMBH++EUROPARING 20+STRAUBING++94315+DE'  
 NAD+CN+++SHIP-TO NAME++ADDRESS LINE-1+CITY++POST CODE+DE'  
 CTA+IC+:IECC ESOLUTIONS SUPPORT'  
 COM+ESOLUTIONS.SUPPORT@INGRAMMICRO.COM:EM'  
 TDT+20+++30+31+TF:::TRANS-O-FLEX'  
 CPS+1'  
 PAC+2'  
 CPS+2+1'  
 PAC+1++CT'  
 MEA+PD+AAD+KGM:31'  
 PCI+30'  
 GIN+BJ+00340384891008929853'  
 LIN+10+++4517562:VP::91'  
 PIA+1+0734646724616:EN::9'  
 PIA+1+BUYERPART:BP::92'  
 PIA+1+0020G0461:MF::90'  
 IMD+F+:::T644TN MONOLASER A4 47 PPM:128MB 1000BL.PAR USB 10/100BTX'  
 QTY+12:1'  
 GIN+BN+S791GDFB'  
 CPS+3+1'  
 PAC+1++CT'  
 MEA+PD+AAD+KGM:1'  
 PCI+30'  
 GIN+BJ+340510470186670240'LIN+20+++4517562:VP::91'  
 LIN+20+++9287562:VP::91'  
 PIA+1+93246724616:EN::9'  
 PIA+1+BUYERPART:BP::92'  
 PIA+1+XX20G0461:MF::90'  
 IMD+F+::: ANM+:::12.9-INCH IPAD PRO WI-FI            SYST'  
 QTY+12:1'  
 CNT+2:1'  
 UNT+38+00000000000025'  
 UNZ+19+00000000000036'